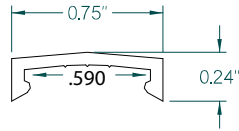
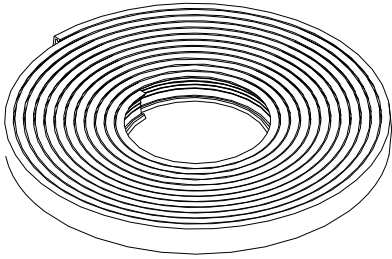
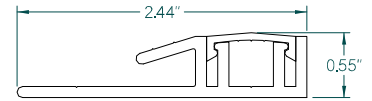
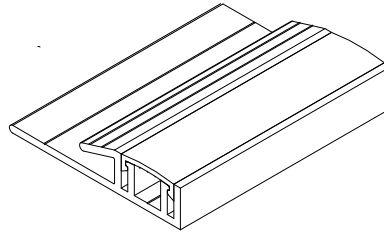


PAL/Flex LED Channel Options

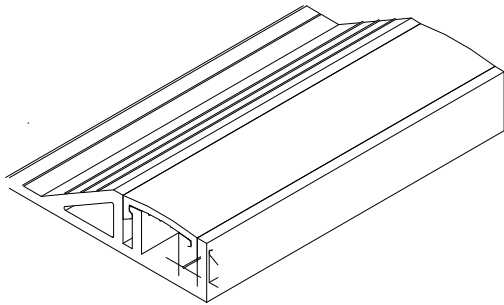
*FAA approved *Channels made from rigid black PVC *All drawings shown with lens cover.



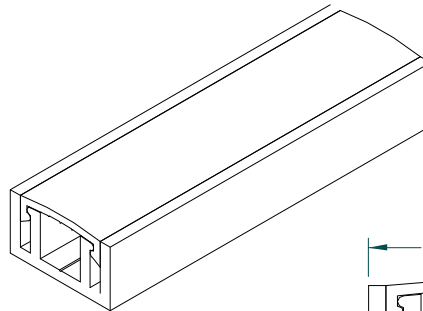
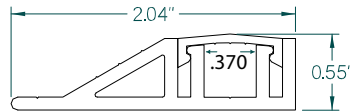
PAL Lens Cover
Available in rolls up to 100' in 20' increments. Made from UV stabilized clear polycarbonate.



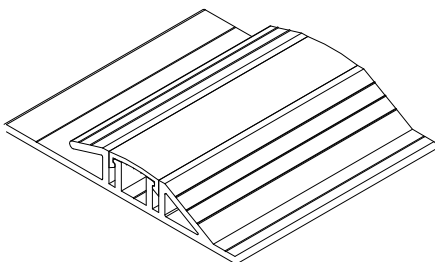
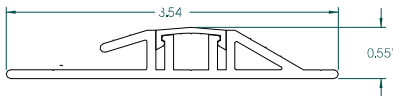
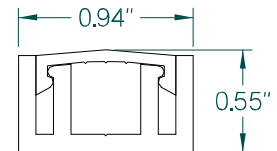
PCW
Provides light at the intersection of a carpeted surface to a 90° surface.



PTW
Provides light at the intersection of a hard surface to a 90° surface.



PUC
Designed to be inlaid into another surface providing a light path.



PTC
Provides light at the edge of a carpeted area.

PMC
Pal Floor Channel allows you to transition from carpet to carpet, carpet to hard surface, or hard surface to hard surface.

