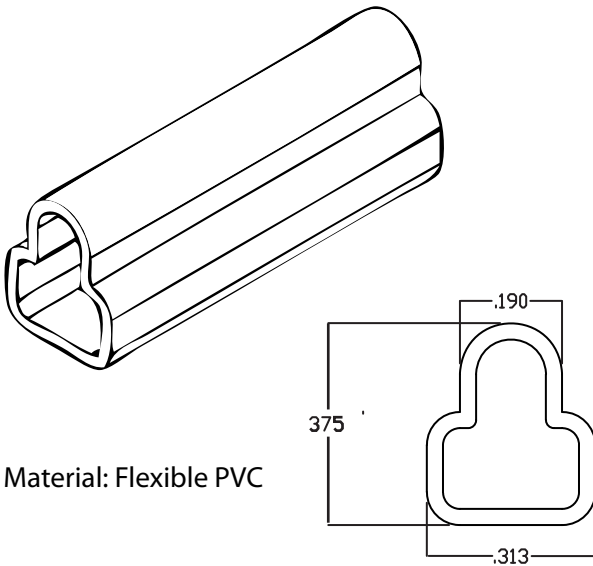


# LED Flex-Lite (LFL)



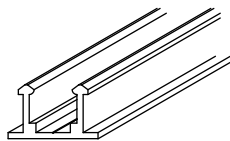
Material: Flexible PVC

- ✦ Exciting light source that is designed for longer life
- ✦ Operates on 12V or 24V
- ✦ LED Lighting colors available in blue, warm white, green, purple, white, amber, and red
- ✦ Requires less power than replaceable incandescent bulb systems
- ✦ Long run lengths without line loss
- ✦ UV additive inhibits color fading
- ✦ Clear clip - surface or angled
- ✦ UL, CSA and FAA approved options available
- ✦ Length dependent on spacing and customer requirements

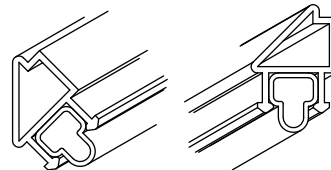
## LED Specifications:

| LED Type | Color      | Color temp               | Lumens<br>3 leds per set | Amps per set<br>(3 leds per set) |
|----------|------------|--------------------------|--------------------------|----------------------------------|
| 3mm      | White      | 6500-7500 <sup>o</sup> K | 11.88/set                | 0.02A/set                        |
| 3mm      | Warm White | 2900-3200 <sup>o</sup> K | 10.77/set                | 0.02A/set                        |
| 3mm      | Blue       | 470nm                    | 1.55/set                 | 0.02A/set                        |
| 3mm      | Purple     | 460nm                    | 1.55/set                 | 0.02A/set                        |
| 3mm      | Green      | 525nm                    | 8.46/set                 | 0.02A/set                        |
| 3mm      | Red        | 630nm                    | 4.22/set                 | 0.02A/set                        |
| 3mm      | Amber      | 591nm                    | 3.68/set                 | 0.02A/set                        |

## Available Hardware Options :



LKL/LFL Clip for flat  
surface mounting



LKL/LFL Corner Clip  
for 45° or 90° mounting

Channels are UV stabilized polycarbonate