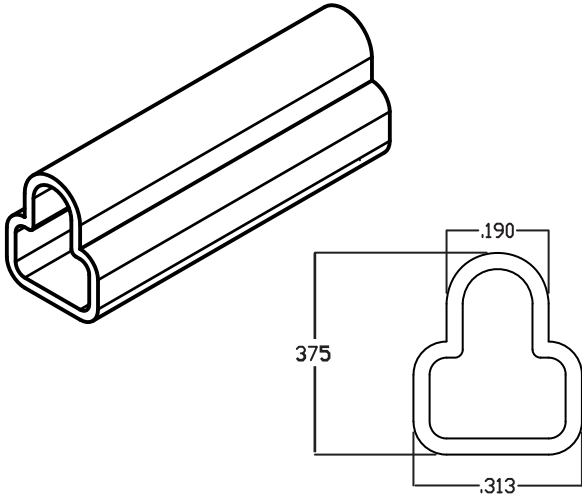




# LED Krystal-Lite (LKL)

Material: Semi-Rigid, High Impact Polycarbonate

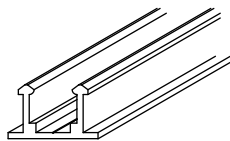


- ★ Exciting light source that is designed for longer life
- ★ Operates on 12V or 24V
- ★ Available in different color options
- ★ Requires much less power than replaceable incandescent bulb systems
- ★ Long run lengths without line-loss
- ★ UV additive inhibits color fading
- ★ Mount with clear LKL clip - surface or angled
- ★ UL, CSA, and FAA approved options available
- ★ Length-dependent on spacing and customer requirements

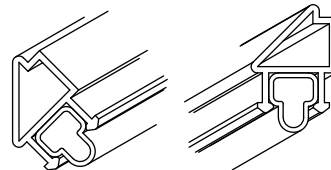
## LED Specifications:

LED Type	Color	Color Temp	Lumens (3 leds per set)	Amps per set (3 leds per set)
3mm	White	6500-7500°K	11.75/set	0.02A/set
3mm	Warm White	2900-3200°K	10.77/set	0.02A/set
3mm	Blue	470nm	1.60/set	0.02A/set
3mm	Purple	460nm		0.02A/set
3mm	Green	525nm	8.48/set	0.02A/set
3mm	Red	630nm	4.15/set	0.02A/set
3mm	Amber/Yellow	591nm	3.71/set	0.02A/set

## Available Hardware Options :



LKL/LFL Clip for Flat Surface mounting.



LKL/LFL Corner Clip for 45° or 90° mounting

Channels are UV stabilized polycarbonate.