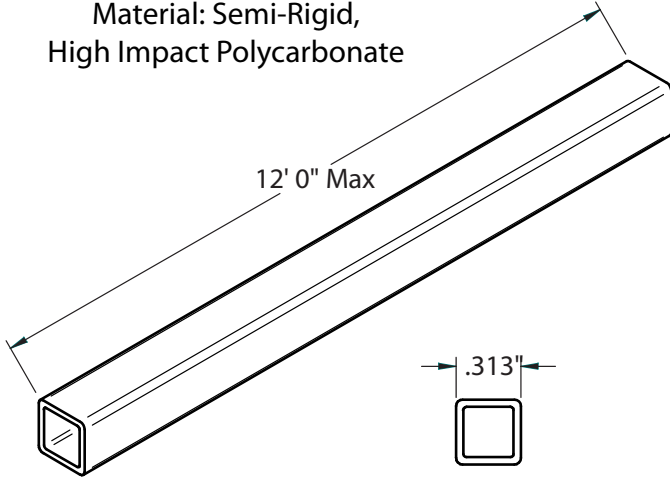


Material: Semi-Rigid,
High Impact Polycarbonate

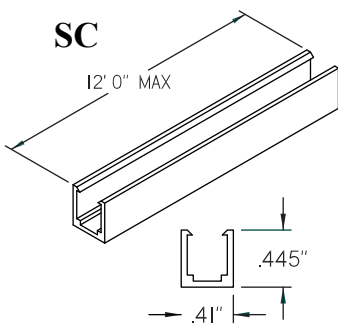


- ★ Available tube colors are red, blue, amber, clear and smoke
- ★ Available LED colors are red, blue, green, amber, white, warm white, and purple
- ★ UV additive inhibits color fading
- ★ Water resistant
- ★ UL, CSA and FAA approved options available
- ★ Maximum length - 12'
- ★ Mounts with clear clip

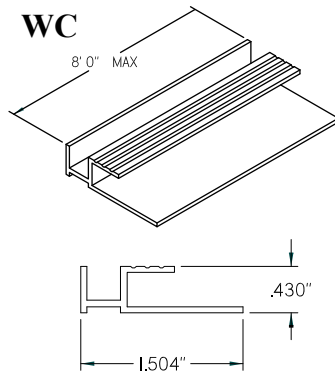
LED Specifications:

LED Type	Color	Color temp/Wavelength	Lumens Set of 3 leds	Amps per set (3 leds per set)
160°	White	6500-7500°K	10.94/set	0.02A/set
160°	Warm White	2900-3200°K	10.02/set	0.02A/set
160°	Blue	470nm	1.75/set	0.02A/set
160°	Red	630nm	3.31/set	0.02A/set
160°	Amber/Yellow	591nm	3.52/set	0.02A/set
160°	Green	525nm	8.89/set	0.02A/set

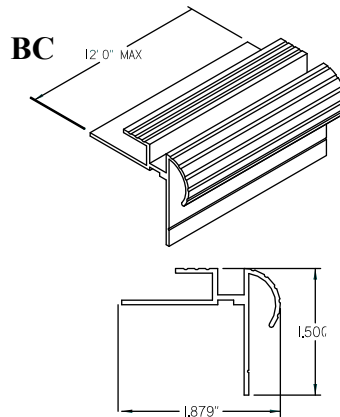
Available mounting options :



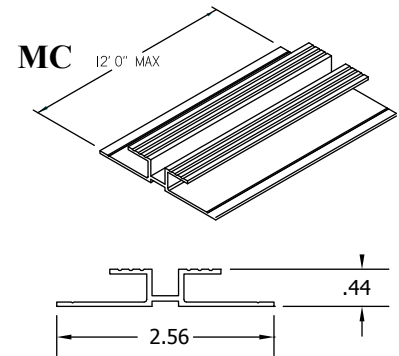
* Available in clear plastic in continuous lengths or as a 7/8" long clip with 2 punched holes for screws.



* Available in 8' Bronze Aluminum.



* Available in Black Aluminum.



* Available in mill finish Aluminum