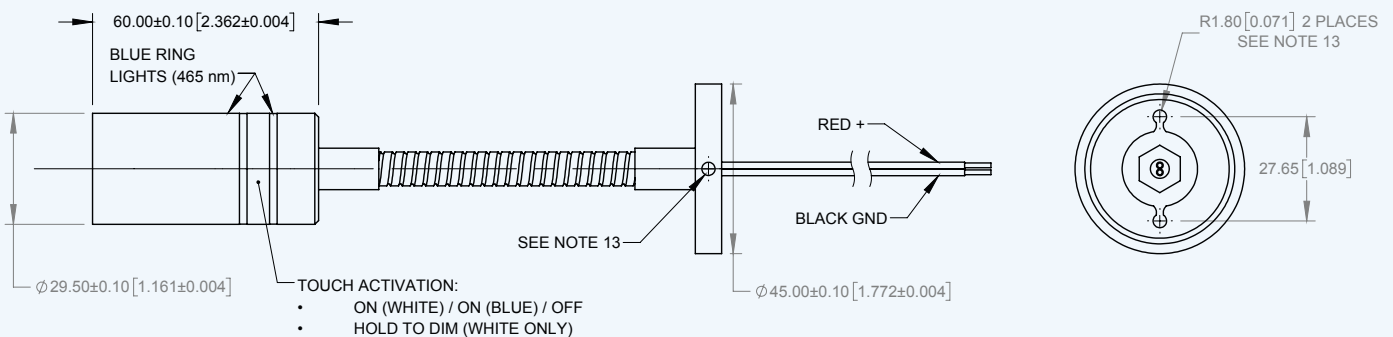


Reading Light

- Available in warm, natural, and cool white
- Touch activation
- Input voltage 10 Vdc and 30 Vdc
- Operating temperature: -20C to 45C
- Designed for interior applications, IP20 rated
- UV complaint with ASTM G155
- UL approved / ROHS Compliant
- 2x M3 Screws and M4 allen wrench shipped loose



DIMENSIONS



SPECIFICATIONS

SPECIFICATIONS						
PART NUMBER	COLOR OUTPUT	VOLTAGE	CURRENT (MA/FT)	WATTAGE (W MAX/FT)	CCT (K)/WAVE-LENGTH(NM)	LUMINOUS FLUX
440226	WARM WHITE	10 - 30	100	3.3	3000 K	85
440227	NATURAL WHITE				4500	95
440228	COOL WHITE				6000	95

INSTALLATION INSTRUCTIONS FOR READING LIGHT

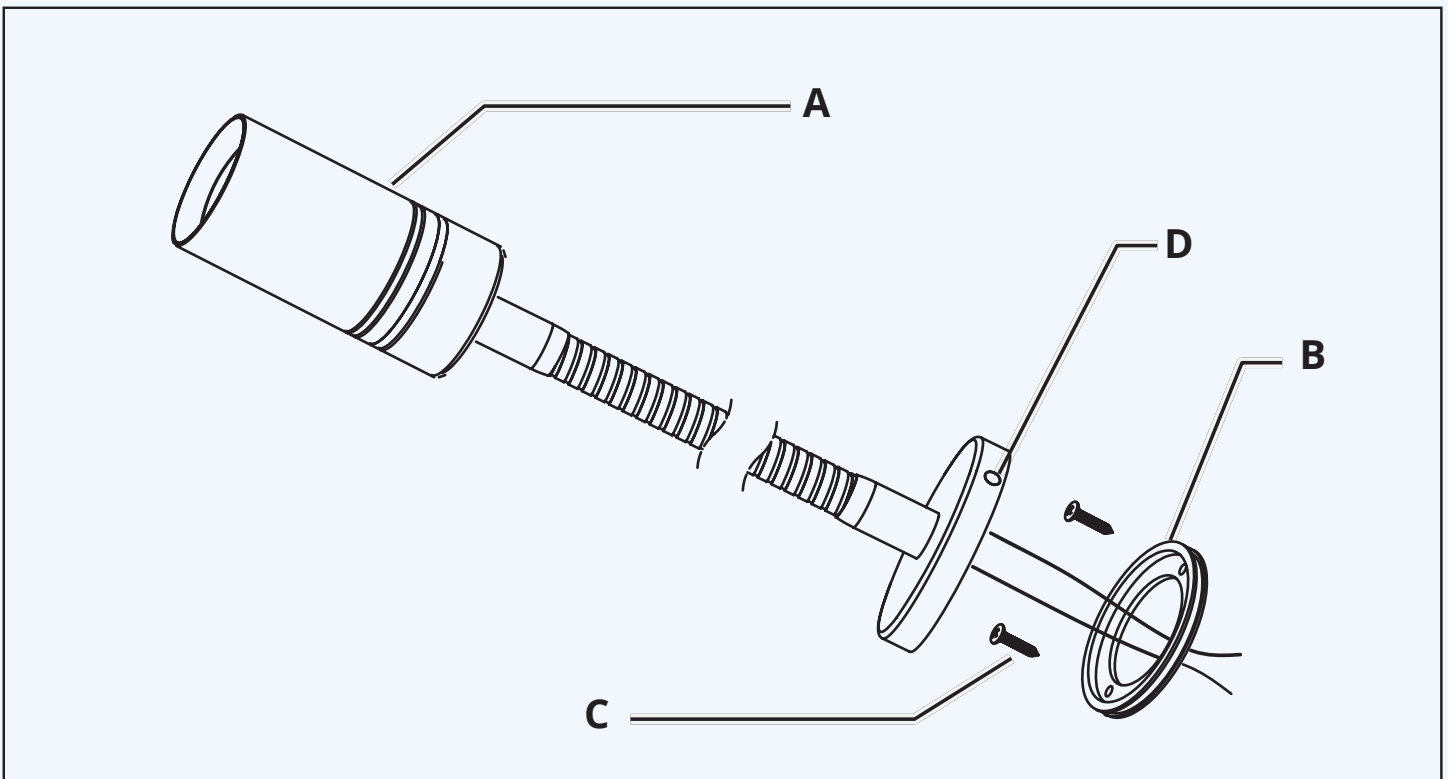
PREPARATION

You will need the following items prior to starting the installation process:

- Drill/Driver or Screwdriver
- Allen Wrench
- Wire connectors

PARTS SUPPLIED

- | | | | |
|----|---------------|----|-----------------|
| A. | Reading Light | C. | Mounting Screws |
| B. | Mounting Ring | D. | Set Screw |



DISCONNECT POWER SOURCE (BATTERY) BEFORE STARTING ELECTRICAL WORK.

Recommended methods for splicing wires together (parts not included in Vista product kits):

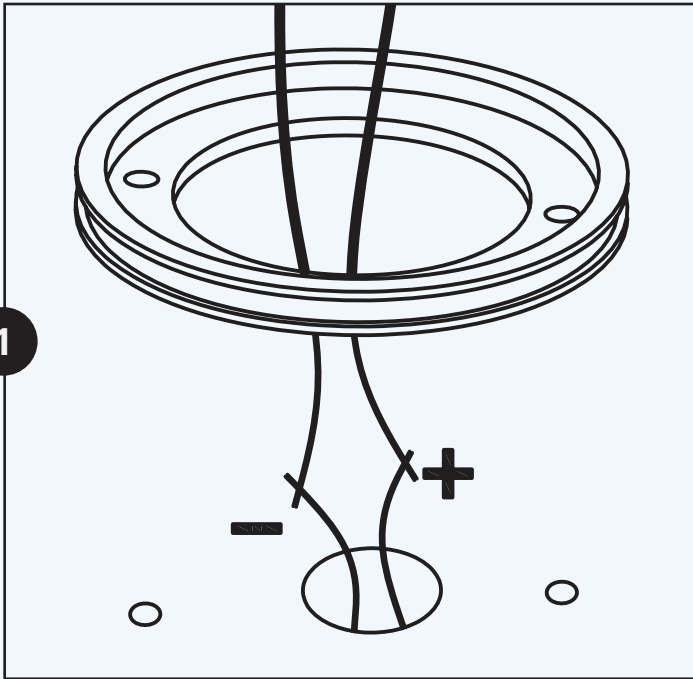
- Solder and cover bare wires with heat shrink or electrical tape.
- Insulation-displacement connector (IDC) / insulation-piercing contact (IPC).
- Twist on wire connector, "wire nut".
- Crimp connector, "Butt splice".

Vista reserves the right to modify this specification without prior notice.

STEPS

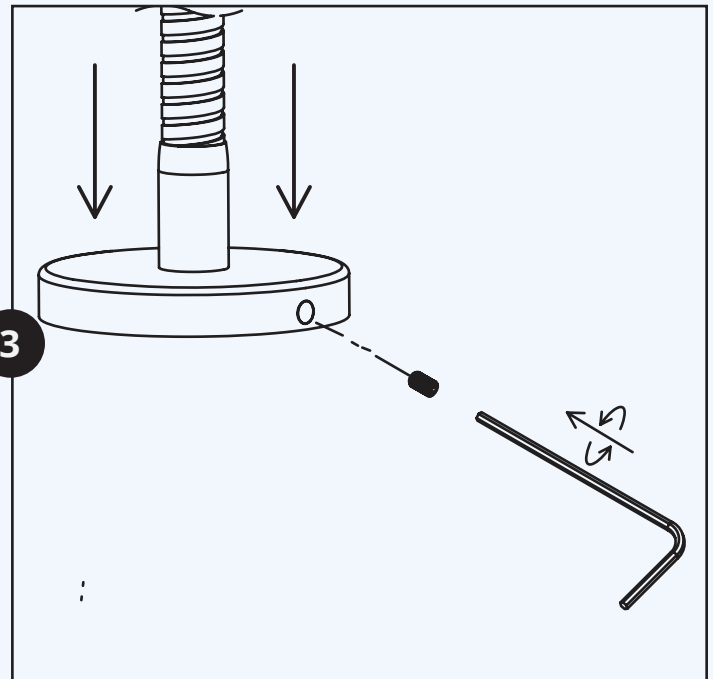
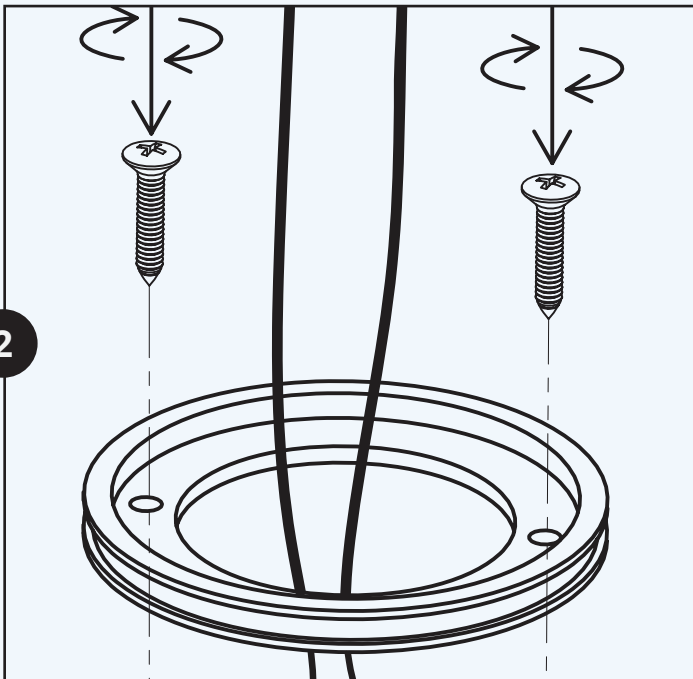
013013

REV B



MOUNTING

1. Pass wires through mounting ring and connect power (red) and ground (black) cables using an approved wire splicing method.
2. Use a screwdriver or drill to fasten the mounting ring in place.
3. Place the reading light firmly over the mounting ring and lock it in place by tightening the set screw on the base.



USAGE:

This light is operated using touch sensitive side rings. The controls are as follows:

- Tap side rings to turn off and cycle between blue or white light.
- When white light is on, tap and hold side rings to dim and brighten light.

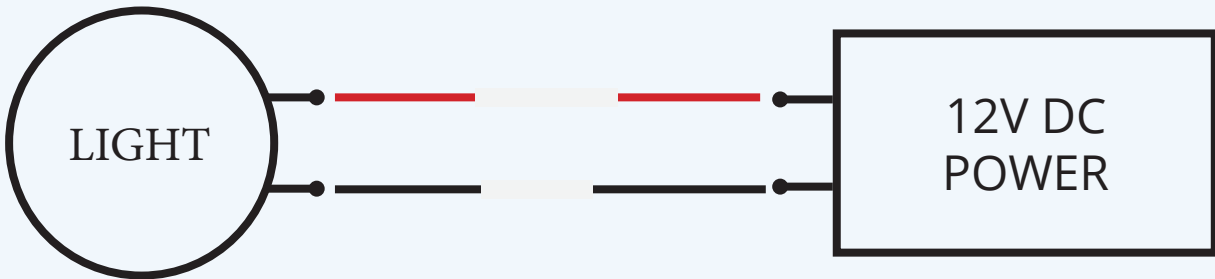
Vista reserves the right to modify this specification without prior notice.

WIRING:

Route wire as necessary for the application. Do not pinch or puncture wires with fasteners. Do not rout wires around sharp edges. A wire loom should be used for protection if wires are to be routed through areas where they may encounter sharp edges, in an application that would experience high amounts of vibration, in areas that may have fasteners protruding into them during later assembly, or other extreme conditions. Standard wiring outputs can be seen below.

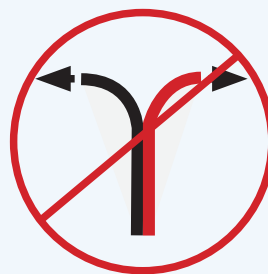
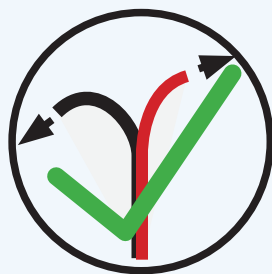
Vista Standard RGB Lighting Wire Colors – Due to product variation, the wire colors for some Vista RGB lights may vary depending on the product. Refer to the following wire polarity information for Vista RGB Lighting.

SINGLE COLOR LIGHTS



WARNING:

1. Supply current and wattage must not exceed the rated values on the specification documents.
2. Incorrect polarity or improper wiring may cause personal injury and/or damage to the product. It is recommended that an electrical technician, professional, or similarly qualified individual finish wiring.
3. To avoid electrical shock risk, all failures should be examined by a qualified technician.
4. Environmental suitability, including but not limited to water resistance, varies based on product design. Unless explicitly noted, products are to be installed in a location shielded from outdoor elements. To avoid irreparable damage, refer to specification sheets to locate products in a proper environment.
5. Do not install products near an open flame or in high temperature environments unless the product is explicitly designed to function as such. Adversely, do not install products in excessively cold environments unless explicitly designed to function as such. Refer to product spec sheets/drawings for information about minimum and maximum operating temperatures.
6. Vista Manufacturing, Inc. is not liable for any injuries or damage caused due to improper wiring or installation.
7. The listed IP Rating on products applies to the lighted assembly and installed connectors. If a product has an open wire to allow for hardwiring or installing aftermarket connectors, assume the IP rating at the open wire point is no higher than IP20.
8. Do not use cutting tools such as wire cutters, scissors, or shears to separate wire. Wires should be pulled apart in shear, perpendicular to the flat plane of the wire ribbon, and not in tension.



Vista reserves the right to modify this specification without prior notice.