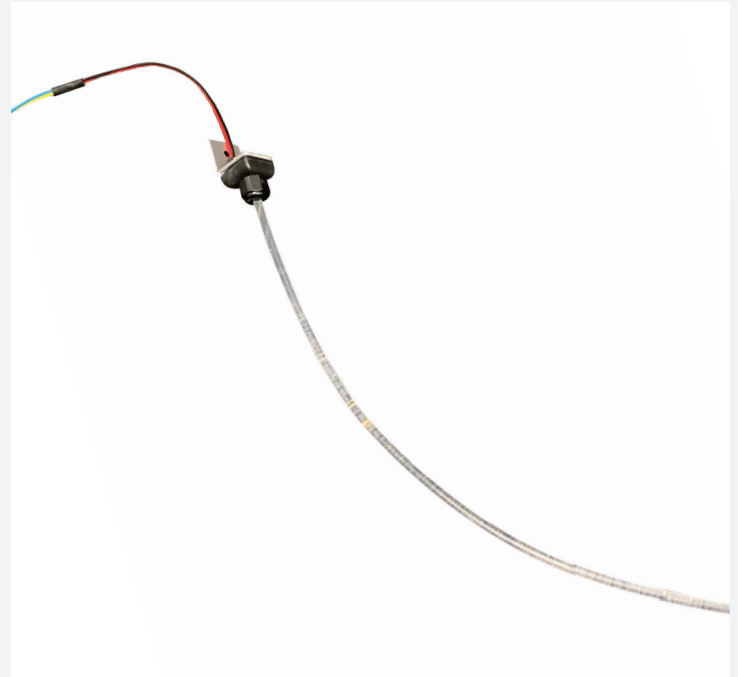


LED FIBER OPTIC LIGHT

- Accent Glow with long run capabilities
- 12V application
- Preset lengths of 10, 20, 30, 40 and 80 feet for Red, Amber, Green and Blue when using a single LED driver
- White preset lengths of 10, 20 and 30 feet when using a single LED driver
- Contact us if you need a different run length
- Various mounting options available



SPECIFICATIONS

COLOR OUTPUT	PART NUMBER	VOLTAGE	CURRENT (mA)	WATTAGE (W MAX)	CCT (K)/ WAVELENGTH (nm)	FIBER DISTANCE (ft)
Red	481058	11-28 Vdc	300	1.0	624 - 634nm	10
Red	481059	11-28 Vdc	300	1.0	624 - 634nm	20
Red	481060	11-28 Vdc	300	1.0	624 - 634nm	30
Red	481061	11-28 Vdc	300	1.0	624 - 634nm	40
Red	481062	11-28 Vdc	300	1.0	624 - 634nm	80

**table continued on next page*

Vista reserves the right to modify this specification without prior notice.

SPECIFICATIONS

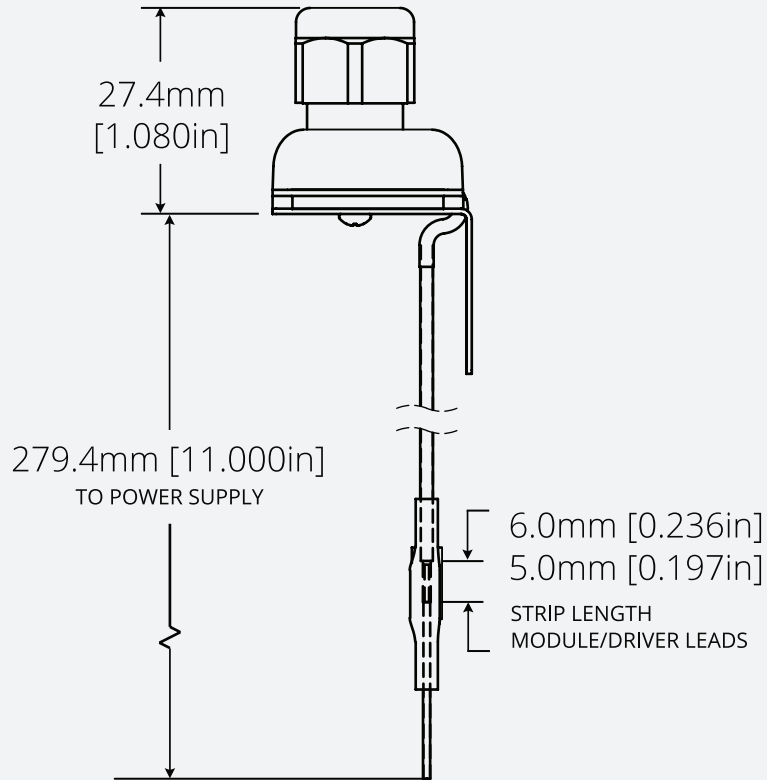
(continued)

COLOR OUTPUT	PART NUMBER	VOLTAGE	CURRENT (mA)	WATTAGE (W MAX)	CCT (K)/ WAVELENGTH (nm)	FIBER DISTANCE (ft)
Amber	481063	11-28 Vdc	300	1.0	585 - 600nm	10
Amber	481064	11-28 Vdc	300	1.0	585 - 600nm	20
Amber	481065	11-28 Vdc	300	1.0	585 - 600nm	30
Amber	481066	11-28 Vdc	300	1.0	585 - 600nm	40
Amber	481067	11-28 Vdc	300	1.0	585 - 600nm	80
Green	481068	11-28 Vdc	300	1.0	520 - 540nm	10
Green	481069	11-28 Vdc	300	1.0	520 - 540nm	20
Green	481070	11-28 Vdc	300	1.0	520 - 540nm	30
Green	481071	11-28 Vdc	300	1.0	520 - 540nm	40
Green	481072	11-28 Vdc	300	1.0	520 - 540nm	80
Blue	481073	11-28 Vdc	300	1.0	465-485nm	10
Blue	481074	11-28 Vdc	300	1.0	465-485nm	20
Blue	481075	11-28 Vdc	300	1.0	465-485nm	30
Blue	481076	11-28 Vdc	300	1.0	465-485nm	40
Blue	481077	11-28 Vdc	300	1.0	465-485nm	80
White	481078	11-28 Vdc	300	1.0	7200K	10
White	481079	11-28 Vdc	300	1.0	7200K	20
White	481080	11-28 Vdc	300	1.0	7200K	30

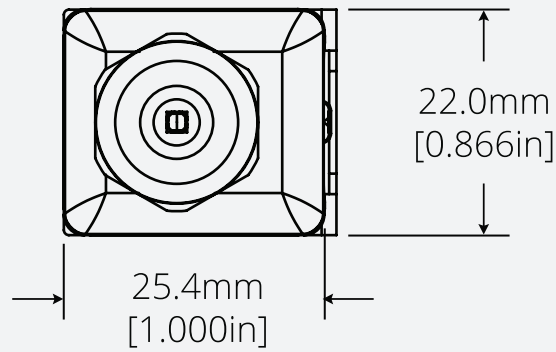
Vista reserves the right to modify this specification without prior notice.

DIMENSIONS

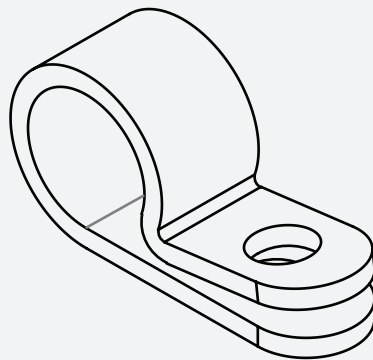
SIDE VIEW



TOP VIEW



MOUNTING OPTION (P-CLIP)



Vista reserves the right to modify this specification without prior notice.

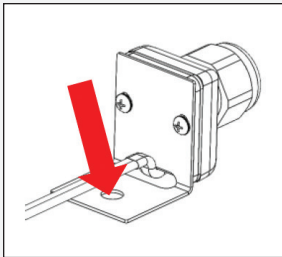
INSTALLATION INSTRUCTIONS

PREPARATION:

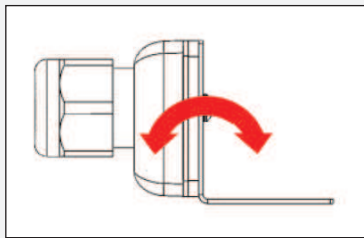
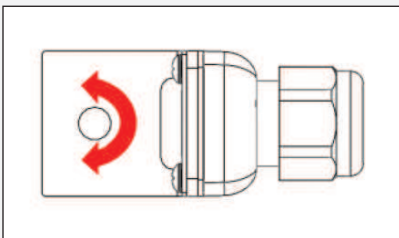
- Verify the location for the light to be installed.
- Verify that the installation location and the path for the fiber optic cable is free of debris or obstructions.
- Verify that you have the following equipment:
 1. Sharp scissors or razor
 2. Electric hand drill
 3. Screwdriver
 4. M5 bolt with nut OR #10 or 3/16 diameter screw (determine length based on mounting substrate; hardware not provided)

FASTENING (LED MODULE)

- Place the light assembly in the desired mounting location.
- It is recommended to drill a pilot hole for the bolt in the center of the hole on the mounting bracket (marked below with arrow).
- Using the M5 bolt, #10 or 3/16 diameter screw, secure the mounting bracket to the mounting surface. Tighten the screw until the screw head is in contact with the mounting bracket, and the light assembly is not loose.
- Do not overtighten. Overtightening may cause the screw head to damage the mounting bracket

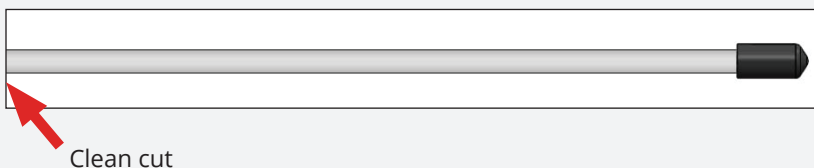


NOTE: The light can be positioned by rotating about the fastening screw before tightening is complete. The aluminum angled mounting plate can also be bent to position the light assembly. It is not recommended to bend the bracket multiple times. Bending the mounting plate more than once may result in damage to the product.



MODIFYING THE FIBER OPTIC CABLE LENGTH

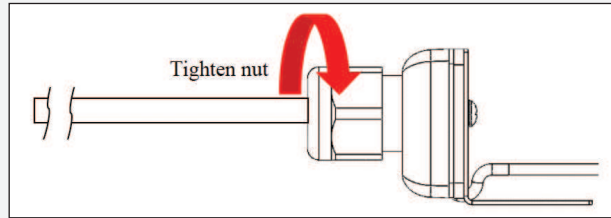
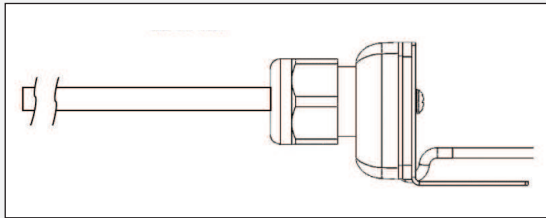
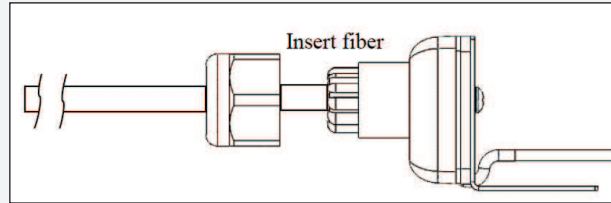
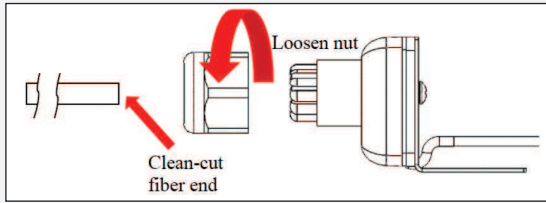
Using a razor or a sharp pair of scissors, cut the fiber optic cable to your desired length. A smoother cut results in better transmission of light from the LED to the fiber optic cable which results in a more vivid appearance.



Vista reserves the right to modify this specification without prior notice.

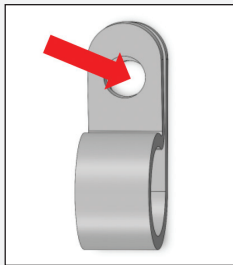
PRODUCT ASSEMBLY (FIBER OPTIC CABLE INTO LED MODULE)

- Step 1: Identify the clean-cut end of the fiber optic cable.
- Step 2: Loosen the plastic fiber grip nut from the LED module.
- Step 3: With the fiber grip nut loosened, insert the fiber, clean-cut end first, through the fiber grip nut.
 - Gently press the fiber into the light assembly until the fiber is fully seated in the housing
- Step 4: Tighten the fiber grip nut until hand tight. Do not tighten beyond a torque of 6 in-lb.

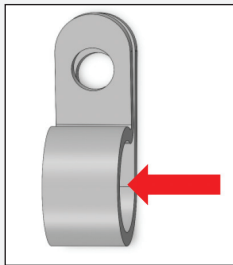


MOUNTING (P-CLIPS)

- Decide where to mount the P-clip on the mounting surface.
- It is recommended to drill a pilot hole for the screw in the center of the hole on the mounting bracket (marked below with arrow).



- Insert the light assembly into the P-clip.

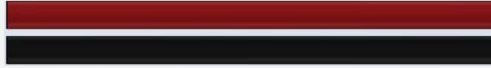


- Using a M5, #10 or 3/16 diameter screw, secure the P-clip to the mounting surface. Tighten the screw until the screw head is in contact with the P-clip and the light assembly is secure.
- Do not overtighten. Overtightening may cause the screw head to damage the P-clip.

Vista reserves the right to modify this specification without prior notice.

WIRING: Wiring configuration used on the product:

- **2 Wire Version (1 Power / 1 Ground)**



Red Wire (12V)

Black Wire (Ground)

DISCONNECT POWER SOURCE (BATTERY) BEFORE STARTING ELECTRICAL WORK.

Recommended methods for splicing wires together (*parts not included in Vista product kits*):

- Solder and cover bare wires with heat shrink or electrical tape.
- Insulation-displacement connector (IDC) / insulation-piercing contact (IPC).
- Twist on wire connector, “wire nut”.
- Crimp connector, “Butt splice”.

WARNING:

1. Supply current and wattage must not exceed the rated values on the specification documents.
2. Incorrect polarity or improper wiring may cause personal injury and/or damage to the product. It is recommended that an electrical technician, professional, or similarly qualified individual finish wiring.
3. To avoid electrical shock risk, all failures should be examined by a qualified technician.
4. Environmental suitability, including but not limited to water resistance, varies based on product design. Unless explicitly noted, products are to be installed in a location shielded from outdoor elements. To avoid irreparable damage, refer to specification sheets to locate products in a proper environment.
5. Do not install products near an open flame or in high temperature environments unless the product is explicitly designed to function as such. Adversely, do not install products in excessively cold environments unless explicitly designed to function as such. Refer to product spec sheets/drawings for information about minimum and maximum operating temperatures.
6. Vista Manufacturing Inc. is not liable for any injuries or damage caused due to improper wiring or installation.

Vista reserves the right to modify this specification without prior notice.
