

Aurora

- LED lighting with a traditional architectural look
- Beautiful, even wash of light with no hotspots
- Easy installation
- Long life span (50,000 hours)
- Available in various configurations
- Low profile
- Operating voltage: 12 volts
- Operating Temp: -20 to 45°C
- IP40 rating
- ROHS Compliant
- UL listed



SPECIFICATIONS

3" DIAMETER

| PART NUMBER | OUTPUT | SHAPE | BEZEL COLOR | VOLTAGE (VDC) | CURRENT (MA) | WATTAGE (W MAX) | CCT (K) / WAVELENGTH (NM) | LUMINOUS FLUX (LM) |
|---------------------------|--------------|--------|-------------|---------------|--------------|-----------------|---------------------------|-----------------------------------|
| 470162 | Single Color | Circle | White | 12 | 223 | 5 | 3,000 | 150 |
| 470164 | | | | | | | 4,000 | |
| 440968 (COMMON POWER) | Tunable | | | | 90 / Color | 3 | 2600 - 6500 | 65 (WARM WHITE) / 60 (COOL WHITE) |
| 440969 (COMMON GROUND) | | | | | | | | |

SPECIFICATIONS

4" DIAMETER

| PART NUMBER | OUTPUT | SHAPE | BEZEL COLOR | VOLTAGE (VDC) | CURRENT (MA) | WATTAGE (W MAX) | CCT (K) / WAVELENGTH (NM) | LUMINOUS FLUX (LM) |
|---------------------------|--------------|--------|-------------|---------------|--------------|-----------------|---------------------------|-----------------------------------|
| 470161 | Single Color | Circle | White | 12 | 365 | 8 | 3,000 | 265 |
| 470163 | | | | | | | 4,000 | |
| 440970 (COMMON POWER) | Tunable | | | | 120 / Color | 4 | 2600 - 6500 | 95 (WARM WHITE) / 60 (COOL WHITE) |
| 440971 (COMMON GROUND) | | | | | | | | |

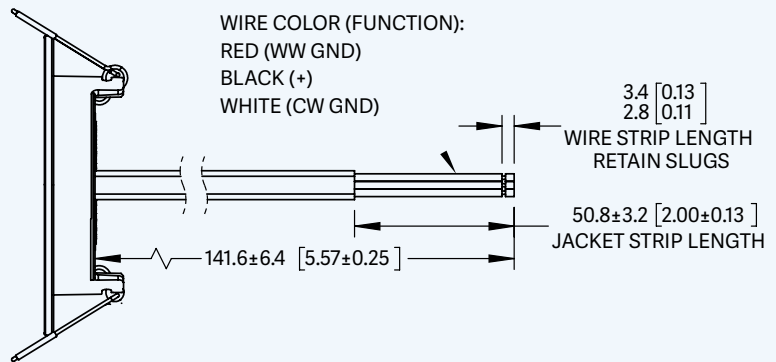
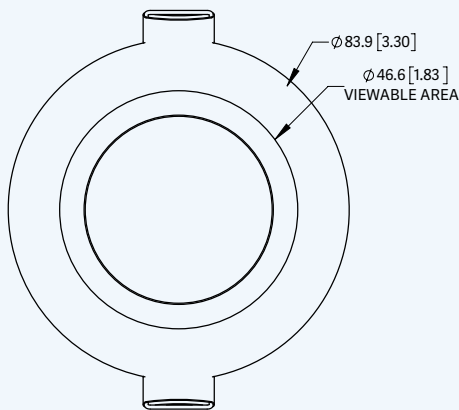
4" SQUARE

| PART NUMBER | OUTPUT | SHAPE | BEZEL COLOR | VOLTAGE (VDC) | CURRENT (MA) | WATTAGE (W MAX) | CCT (K) / WAVELENGTH (NM) | LUMINOUS FLUX (LM) |
|-------------|--------------|--------|-------------|---------------|--------------|-----------------|---------------------------|--------------------|
| 440283 | Single Color | Square | Black | 12 | 203 | 3.2 | 4,000 | 100 |

DIMENSIONS

3" DIAMETER

Ø 2.5" MOUNT HOLE SIZE

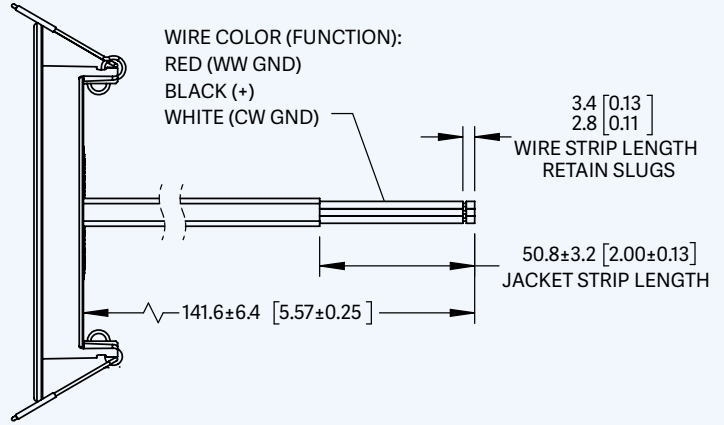
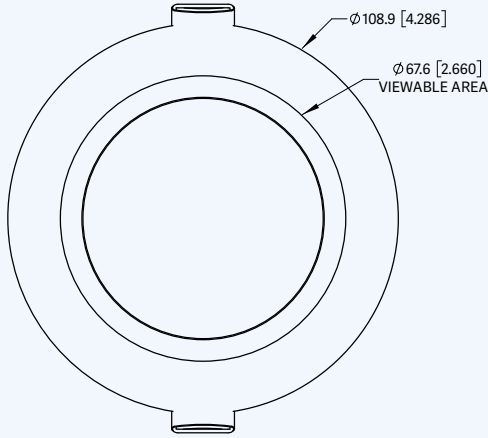


Vista reserves the right to modify this specification without prior notice.

DIMENSIONS

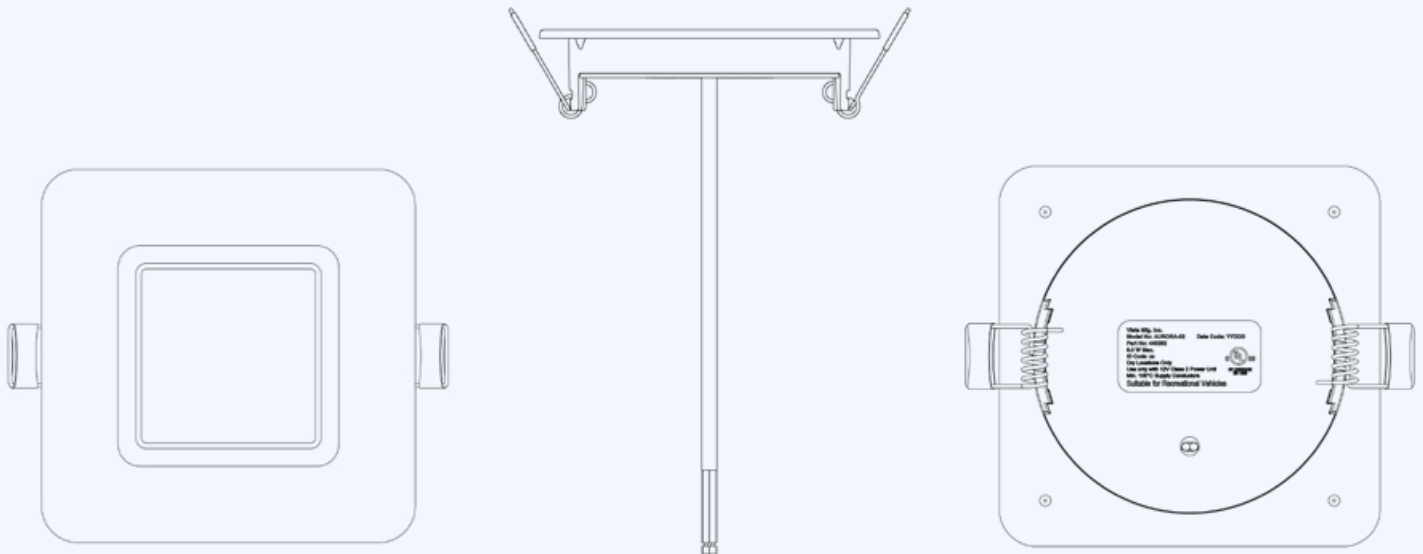
4" DIAMETER

Ø 3.5" MOUNT HOLE SIZE



4" SQUARE - BLACK BEZEL

Ø 3.5" MOUNT HOLE SIZE



Vista reserves the right to modify this specification without prior notice.

INSTALLATION INSTRUCTIONS FOR TUNABLE AURORA

PREPARATION

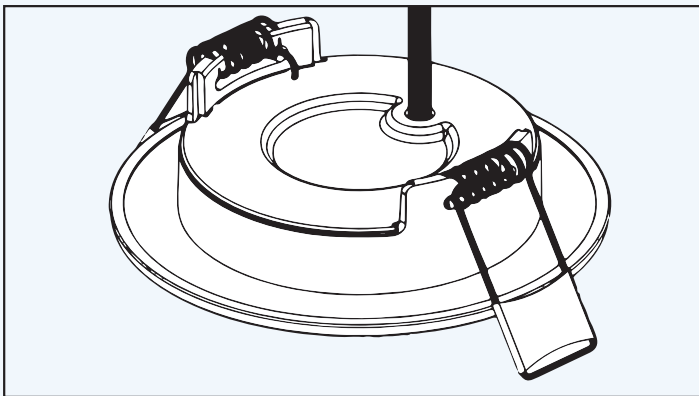
You will need the following items prior to starting the installation process:

- Drill/Driver
- Hole Saw
 - For 3" Diameter assemblies, use a 2.5" hole saw
 - For 4" Diameter assemblies, use a 3.5" hole saw

FASTENING Keep the following in mind:

- Drill holes at your own risk
- Verify the location for the light to be installed
- Verify that there is enough clearance for the housing of the product to fit into the intended mounting location.
- Maximum recommended material thickness is 1/2"

STEPS



INSTALLATION

1. Mark mounting location and use a hole saw to drill a mounting hole. Make sure to use the correct hole saw for your size light assembly, as shown below:
 - **For 3" diameter assemblies, use a 2.5" mounting hole**
 - **For 4" diameter assemblies, use a 3.5" mounting hole**
2. Connect wires using a recommended wire splicing method and following the wiring guide on this page.
3. Remove the backer on the adhesive ring, fold back the retaining spring clips, and insert the product into the mounting hole.

DISCONNECT POWER SOURCE (BATTERY) BEFORE STARTING ELECTRICAL WORK.

Recommended methods for splicing wires together (parts not included in Vista product kits):

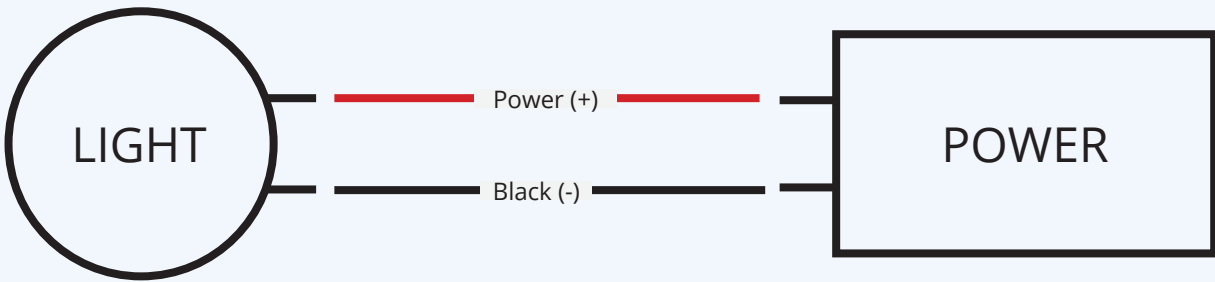
- Solder and cover bare wires with heat shrink or electrical tape.
- Insulation-displacement connector (IDC) / insulation-piercing contact (IPC).
- Twist on wire connector, "wire nut".
- Crimp connector, "Butt splice".

WIRING:

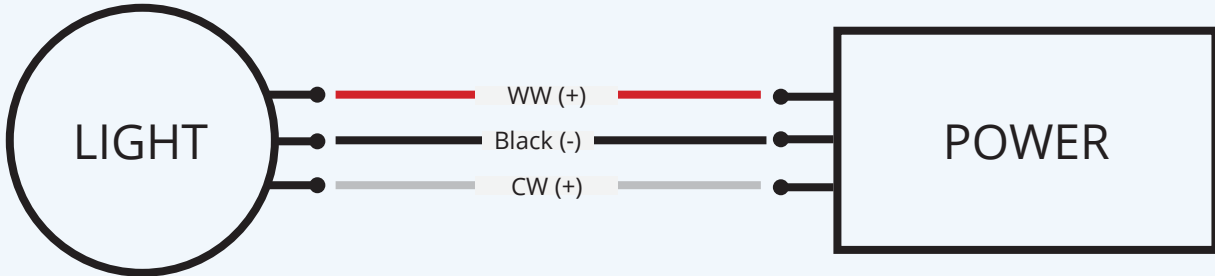
Route wire as necessary for the application. Do not pinch or puncture wires with fasteners. Do not rout wires around sharp edges. A wire loom should be used for protection if wires are to be routed through areas where they may encounter sharp edges, in an application that would experience high amounts of vibration, in areas that may have fasteners protruding into them during later assembly, or other extreme conditions. Standard wiring outputs can be seen below.

————— Vista reserves the right to modify this specification without prior notice. —————

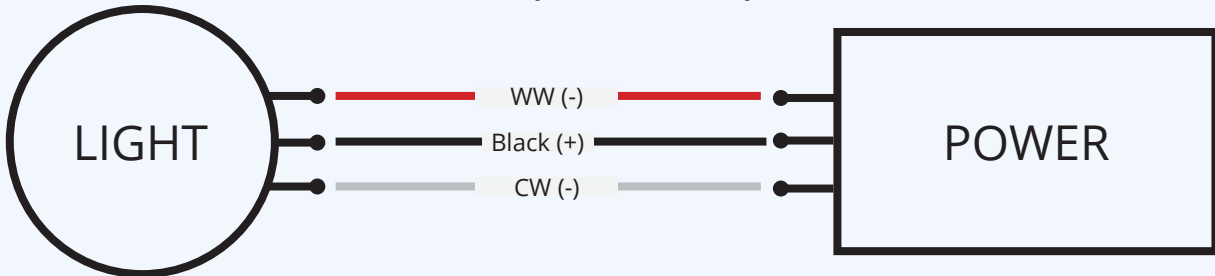
SINGLE COLOR LIGHTS



TUNABLE LIGHTS (COMMON GROUND)

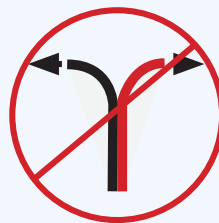
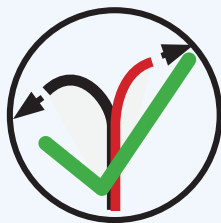


TUNABLE LIGHT (COMMON POWER)



WARNING:

1. Supply current and wattage must not exceed the rated values on the specification documents.
2. Incorrect polarity or improper wiring may cause personal injury and/or damage to the product. It is recommended that an electrical technician, professional, or similarly qualified individual finish wiring.
3. To avoid electrical shock risk, all failures should be examined by a qualified technician.
4. Environmental suitability, including but not limited to water resistance, varies based on product design. Unless explicitly noted, products are to be installed in a location shielded from outdoor elements. To avoid irreparable damage, refer to specification sheets to locate products in a proper environment.
5. Do not install products near an open flame or in high temperature environments unless the product is explicitly designed to function as such. Adversely, do not install products in excessively cold environments unless explicitly designed to function as such. Refer to product spec sheets/drawings for information about minimum and maximum operating temperatures.
6. Vista Manufacturing, Inc. is not liable for any injuries or damage caused due to improper wiring or installation.



Vista reserves the right to modify this specification without prior notice.