

Draco

- Available in white or black, with or without power button
- Operating voltage 10 to 30 Vdc
- Operating temperature -40° C to 65° C
- IP67 rated
- UV compliant with ASTM G155 (white color output only)
- Salt spray compliant with ASTM B117
- ROHS 2 compliant
- UL category code (CCN) IFDR2/IFDR8



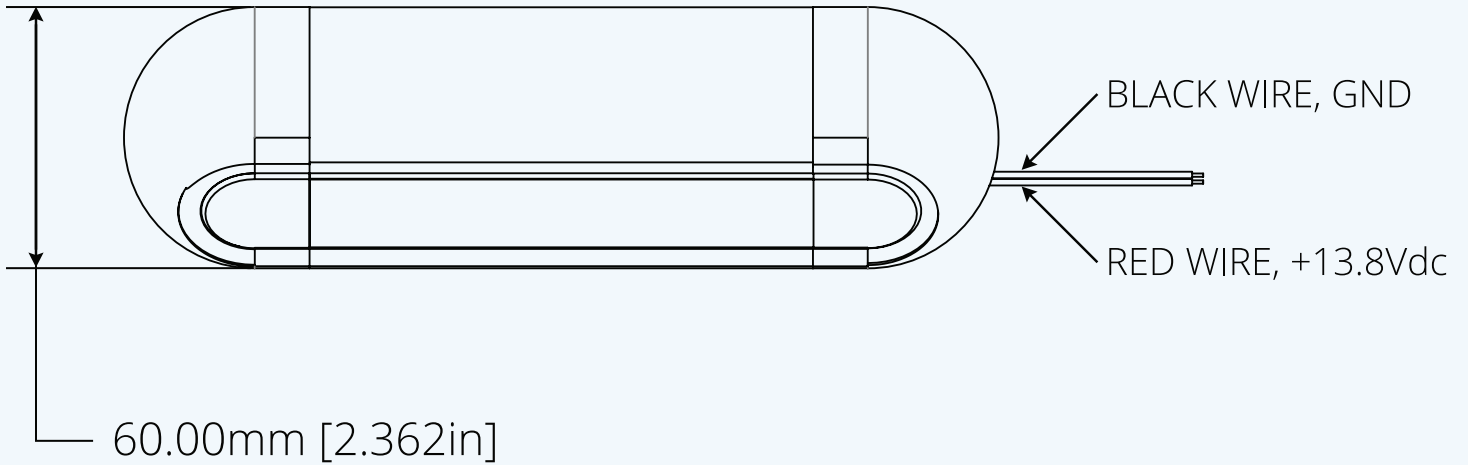
SPECIFICATIONS

LIGHT SPECIALTY DRACO IP67 10-30 V 4000K

COLOR OUTPUT	PART NUMBER	VOLTAGE	CURRENT (mA)	WATTAGE (W MAX)	CCT (K)/ WAVELENGTH (nm)	LUMINOUS FLUX (lm)	LENGTH (IN)
White	440153	12	0.25	3.2	3,725	160	8
Red	440284	12	0.20	2.4	3,725	628	12
White	440155	12	0.25	3.2	3,725	160	8
White	440156	12	0.60	8.2	3,725	350	12
White	440160	12	0.25	3.2	3,725	160	8
White	440161	12	0.60	8.2	3,725	350	12
White	440162	12	0.25	3.2	3,725	160	8
White	440163	12	0.60	8.2	3,725	350	12

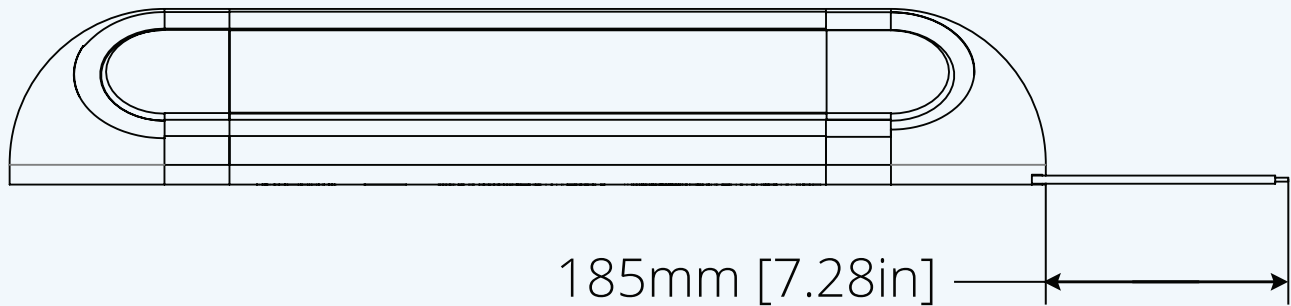
DIMENSIONS

FRONT VIEW



SIDE VIEW

Available in 8" or 12" length



Vista reserves the right to modify this specification without prior notice.

INSTALLATION INSTRUCTIONS FOR FLEXI C TRACK

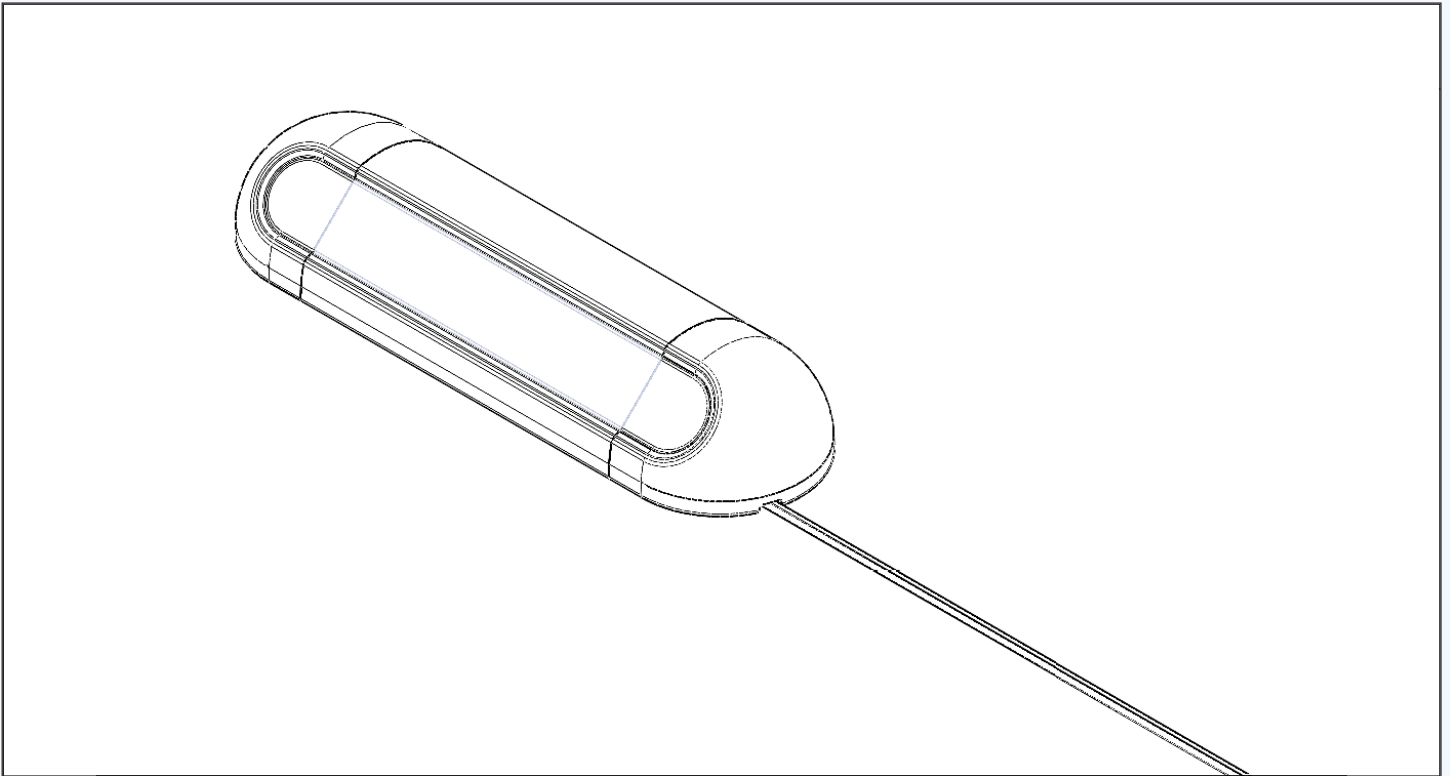
PREPARATION:

You will need the following items prior to starting the installation process

- Flat-Head Screwdriver
- Drill/Driver
- Drill Bit

PARTS SUPPLIED

- A. Draco Light
- B. Mounting Screws



DISCONNECT POWER SOURCE (BATTERY) BEFORE STARTING ELECTRICAL WORK.

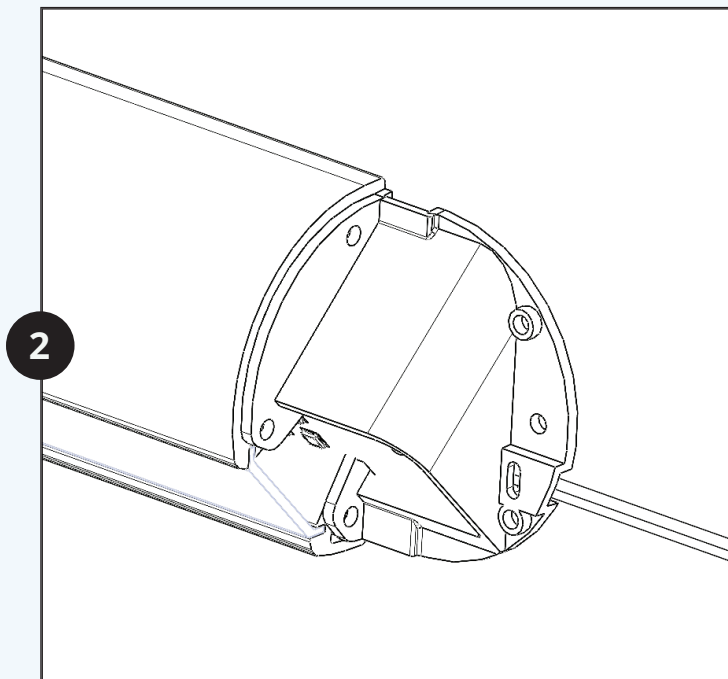
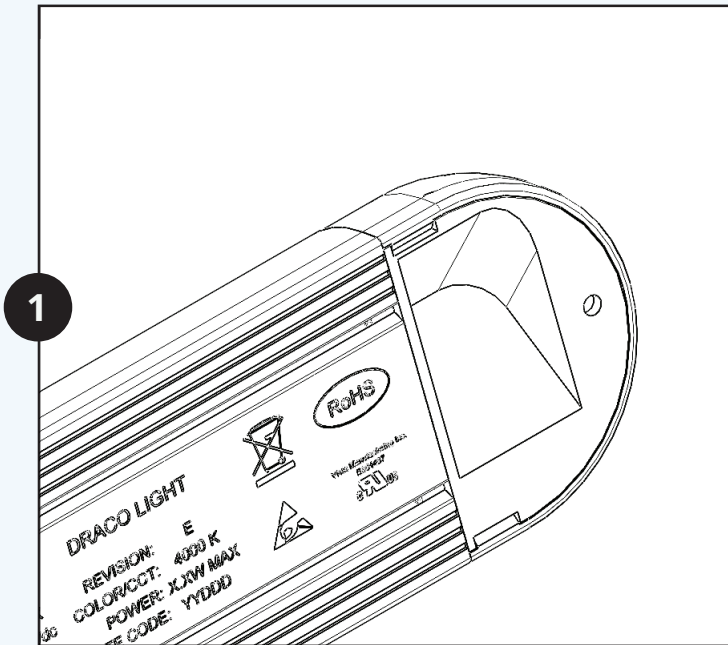
Recommended methods for splicing wires together (parts not included in Vista product kits):

- Solder and cover bare wires with heat shrink or electrical tape.
- Insulation-displacement connector (IDC) / insulation-piercing contact (IPC).
- Twist on wire connector, "wire nut".
- Crimp connector, "Butt splice".

Vista reserves the right to modify this specification without prior notice.

FASTENING: Keep the following in mind:

- Verify that mounting panel is no greater than 0.25" (6.36 mm) thick to ensure there is enough room for mounting rings.
 - Drill 0.75" (19.05 mm) hole with hole saw
 - Remove threaded mounting rings from light and pass light module and wire harness through hole.
 - Thread mounting rings onto the light from back side of panel to lock module in place.
-

**WIRING**

1. Remove the endcaps of the Draco light by locating the tabs on the bottom of the assembly. Using your finger or a flat-head screwdriver, gently pry the tabs upwards so that the endcap releases from the main body.
2. Mount the light to a desired surface by screwing included screws through the mounting holes. Once the light is properly secured, replace endcaps by snapping them back onto the main body of the Draco light.

Note: The maximum amount of torque that can be applied to the mounting screws is 12 lbs-in.

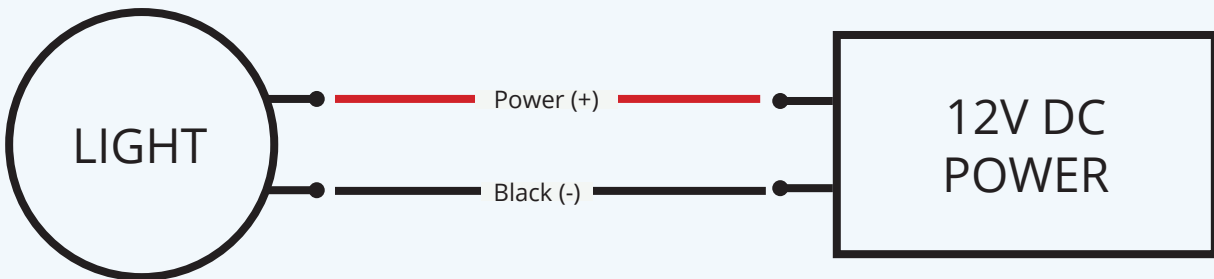
Vista reserves the right to modify this specification without prior notice.

WIRING:

Route wire as necessary for the application. Do not pinch or puncture wires with fasteners. Do not route wires around sharp edges. A wire loom should be used for protection if wires are to be routed through areas where they may encounter sharp edges, in an application that would experience high amounts of vibration, in areas that may have fasteners protruding into them during later assembly, or other extreme conditions. Standard wiring outputs can be seen below.

Vista Standard RGB Lighting Wire Colors - Due to product variation, the wire colors for some Vista RGB lights may vary depending on the product. Refer to the following wire polarity information to Vista RGB Lighting.

SINGLE COLOR LIGHTS



WARNING:

1. Supply current and wattage must not exceed the rated values on the specification documents.
2. Incorrect polarity or improper wiring may cause personal injury and/or damage to the product. It is recommended that an electrical technician, professional, or similarly qualified individual finish wiring.
3. To avoid electrical shock risk, all failures should be examined by a qualified technician.
4. Environmental suitability, including but not limited to water resistance, varies based on product design. Unless explicitly noted, products are to be installed in a location shielded from outdoor elements. To avoid irreparable damage, refer to specification sheets to locate products in a proper environment.
5. Do not install products near an open flame or in high temperature environments unless the product is explicitly designed to function as such. Adversely, do not install products in excessively cold environments unless explicitly designed to function as such. Refer to product spec sheets/drawings for information about minimum and maximum operating temperatures.
6. Vista Manufacturing, Inc. is not liable for any injuries or damage caused due to improper wiring or installation.

————— Vista reserves the right to modify this specification without prior notice. —————