

LED Flex-Lite (LFL)

- Exciting light source that is designed for longer life
- Operates on 12V or 24V
- LED lighting colors available in blue, warm white, white, green, purple, amber, and red
- Requires less power than replaceable incandescent bulb systems
- Long run lengths without line loss
- UV additive inhibits color fading
- UL, CSA, and FAA approved options available
- Length dependent on spacing and customer requirements
- Clear LKL clip - surface or angled

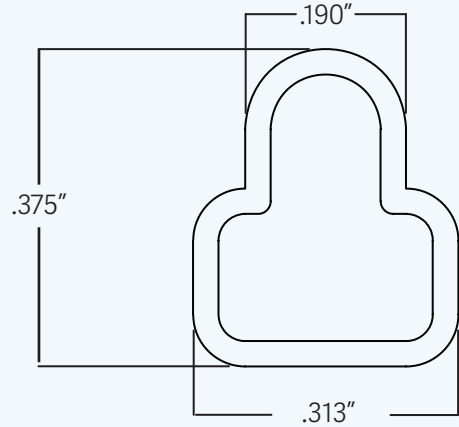
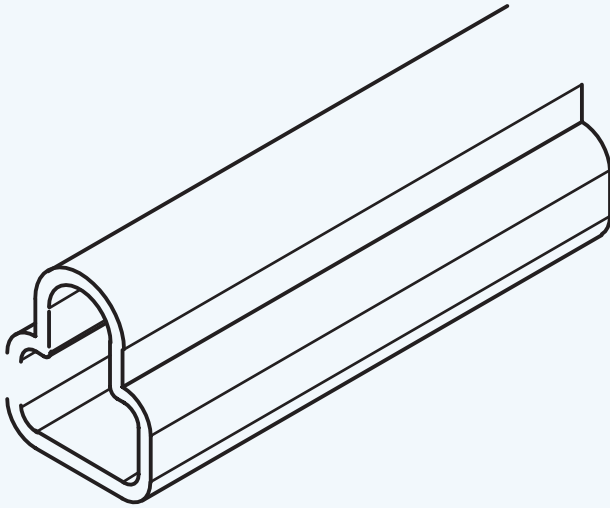


SPECIFICATIONS

LED TYPE	COLOR	COLOR TEMP.	LUMENS	AMPS PER SET 3 leds per set
3mm	White	6500=7500K	11.75/set	0.02A/set
	Warm White	2900-3200K	10.77/set	
	Blue	470mm	1.60/set	
	Purple	460mm		
	Green	525mm	8.48/set	
	Red	630mm	4.15/set	
	Amber/Yellow	591mm	3.71/set	

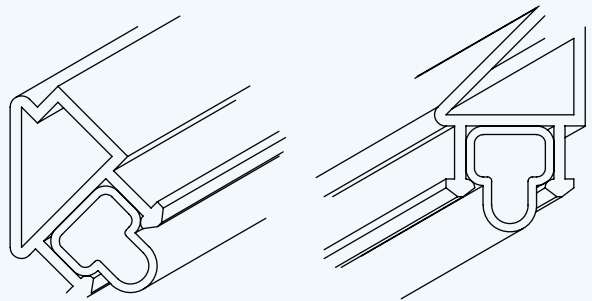
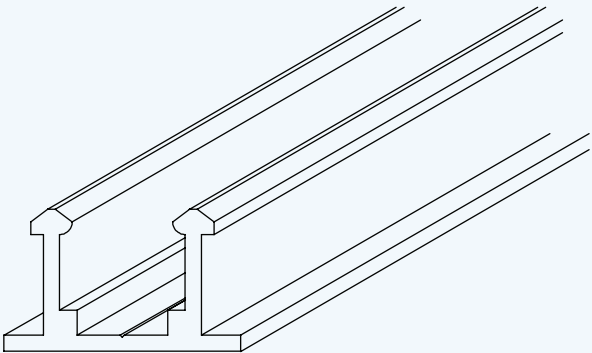
DIMENSIONS

Channels are UV stabilized polycarbonate



LKL/LFL clip for flat surface mounting.

LKL/LFL corner clip for 45° or 90° mounting



Vista reserves the right to modify this specification without prior notice.