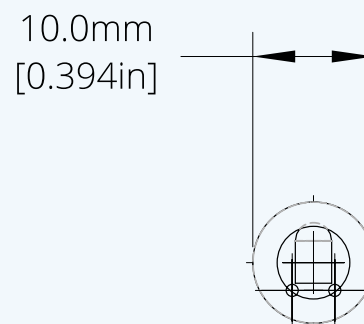
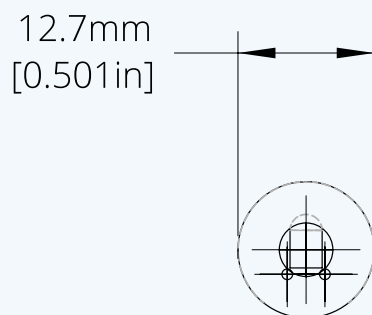
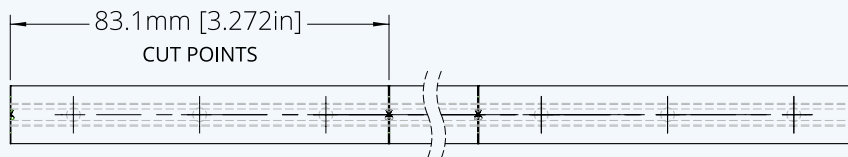
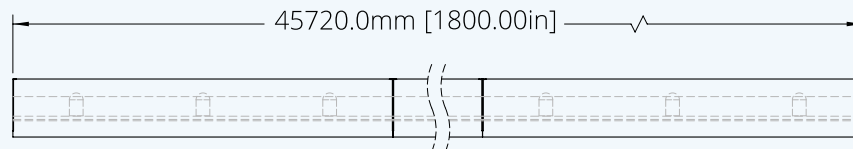


Flexi-Round LED Rope Light

- Available LED colors: White 4500K
- Available in 3/8" diameter and 1/2" diameter with 1" bulb spacing
- Field cuttable on-site for required lengths. Requires less power than incandescent rope light.
- Available in 12V in 150 ft reels
- Accessories available: Power cord set, T-connectors, splice connectors and end caps.



DIMENSIONS



SPECIFICATIONS

FLEXI-ROUND LED ROPE LIGHT

PART NUMBER	DIAMETER (IN)	VOLTAGE (Vdc)	FREQUENCY (Hz)	WATTAGE (W MAX)	CCT (K) / WAVELENGTH (nm)
445800	3/8	12 Vdc	N/A	2.4	4500
445900	1/2				

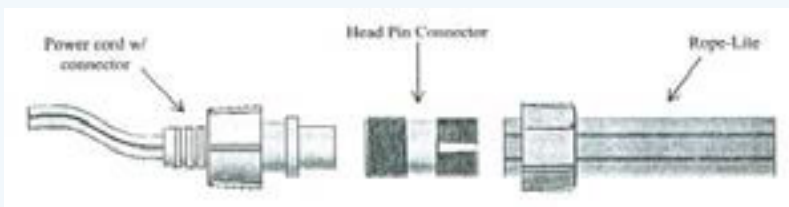
INSTALLATION INSTRUCTIONS FOR FLEXI-ROPE LIGHT

PREPARATION: Keep the following in mind:

- Verify the location for the light to be installed. Choose a location that is distanced away from any high temperature heat source. It is suggested that intended mounting location is measured prior to installation to ensure proper fitment.
- Mounting Clips sold separately.

CUTTING TO LENGTH & ASSEMBLY

1. Cut Flexi-Round light at the indicated marks.
2. Once the tube is cut to the desired length, the copper wires should be trimmed flush with the outer edge of the tube. This can be done by bending the end of the Flexi-Round light while trimming the wire.
3. Once the copper wires are flush, cover over the end of the light with an appropriate end cap or power cord. If installing a power cord, install the Head Pin Connector via:
 - Remove the Head Pin Connector's threaded sleeve and slide it onto the Flexi-Round light.
 - Insert the Head Pin Connector into the end of the tube.
 - Ensure that the pins pierce the wire paths inside of the tube.
 - Screw on the power cord.



Vista reserves the right to modify this specification without prior notice.

INSTALLATION/FASTENING:

1. Clean the mounting surface before installing the product
2. Wrap light around intended mounting location (handrail, baluster, etc.)
3. Light can also be secured via Mounting Clips:
 - Use one of the mounting clips included with the products to mount the light into place.
 - Adhere the mounting clip to the mounting surface and press firmly to ensure proper adhesion.
 - Snap rope light into mounting clips.



DISCONNECT POWER SOURCE (BATTERY) BEFORE STARTING ELECTRICAL WORK.

Recommended methods for slicing wires together (*parts not included in Vista product kits*):

- Solder and cover bare wires with heat shrink or electrical tape.
- Insulation-displacement connector (IDC) / insulation-piercing contact (IPC).
- Twist on wire connector, "wire nut".
- Crimp connector, "butt splice".

WARNING:

1. Supply current and wattage must not exceed the rated values on the specification documents.
2. Incorrect polarity or improper wiring may cause personal injury and/or damage to the product. It is recommended that an electrical technician, professional, or similarly qualified individual finish wiring.
3. To avoid electrical shock risk, all failures should be examined by a qualified technician.
4. Environmental suitability, including but not limited to water resistance, varies based on product design. Unless explicitly noted, products are to be installed in a location shielded from outdoor elements. To avoid irreparable damage, refer to specification sheets to locate products in a proper environment.
5. Do not install products near an open flame or in high temperature environments unless the product is explicitly designed to function as such. Adversely, do not install products in excessively cold environments unless explicitly designed to function as such. Refer to product spec sheets/drawings for information about minimum and maximum operating temperatures.
6. Vista Manufacturing, Inc. is not liable for any injuries or damage caused due to improper wiring or installation.

————— Vista reserves the right to modify this specification without prior notice. —————