

Torpedo

- Available with a decorative and functional cover
- Three different LED spacings (1 ¼- (30/mt), 5/8- (60/mt), and 5/16-inch- 120/mt) are offered for various light output requirements utilizing IP65 or IP68 flexi-tape
- Available in 12 and 24 volts
- Lead terminates out the back of the light for a more finished look
- Surface mounted design installs easily with two screws
- Multiple colors available – see lists below



Specifications

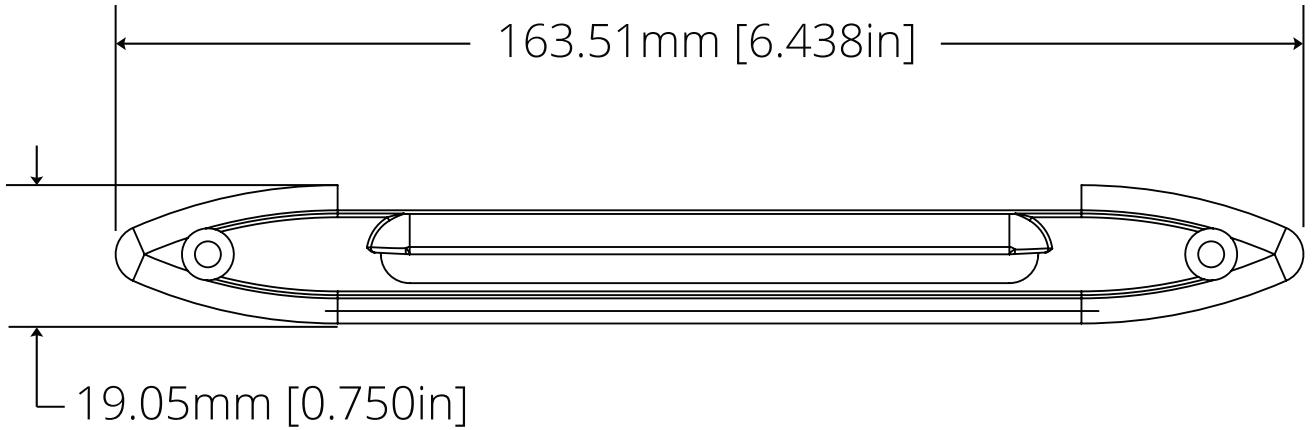
Length (in)	Voltage	LED Density	Current (mA/ft)	Wattage (W/ft)	LED Color	CCT/Wave-length	Luminous Flux (lm/ft)
6.5	12	30/60/120	20/40/80	0.27/0.54/1.08	Warm White	3000 K	13/26/52
					Daylight White	4500 K	15/30/60
					Pure White	6000 K	14/28/56
					Red	628 nm	1/2/4
					Amber	591 nm	2/4/8
					Green	522 nm	8/16/32
					Blue	465 nm	2/4/8`
10.5	12	30/60/120	40/80/160	0.54/1.08/2.16	Warm White	3000 K	26/52/104
					Daylight White	4500 K	30/60/120
					Pure White	6000 K	28/56/112
					Red	628 nm	2/4/8
					Amber	591 nm	4/8/16
					Green	522 nm	16/32/64
					Blue	465 nm	4/8/16

Vista reserves the right to modify this specification without prior notice.

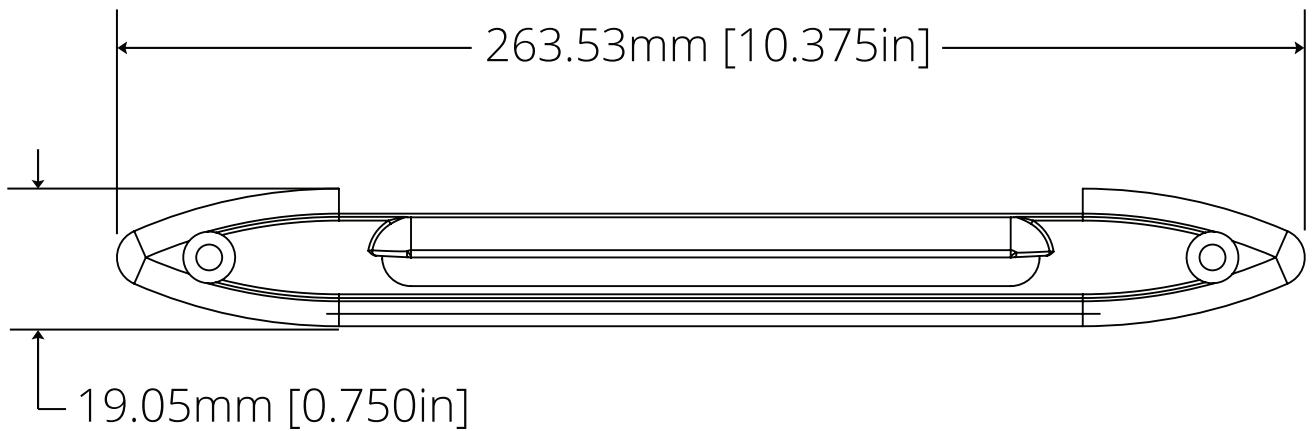


Dimensions

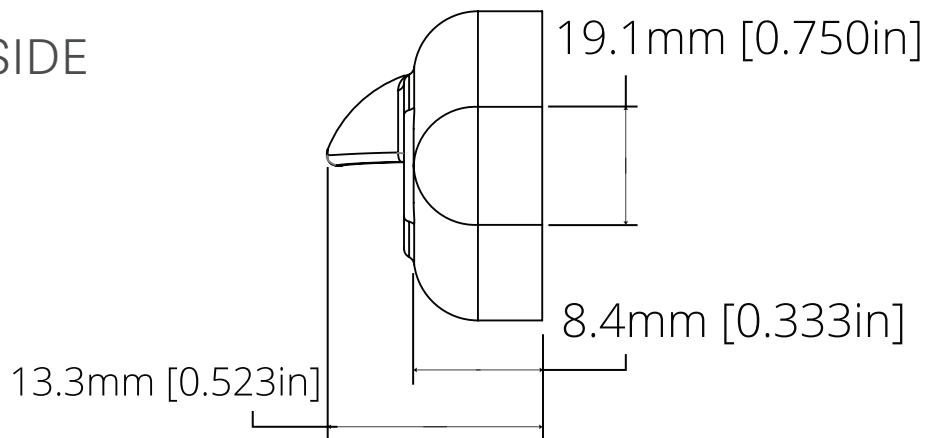
6.5in TOP



10.5in TOP



6.5 & 10.5in SIDE



Vista reserves the right to modify this specification without prior notice.