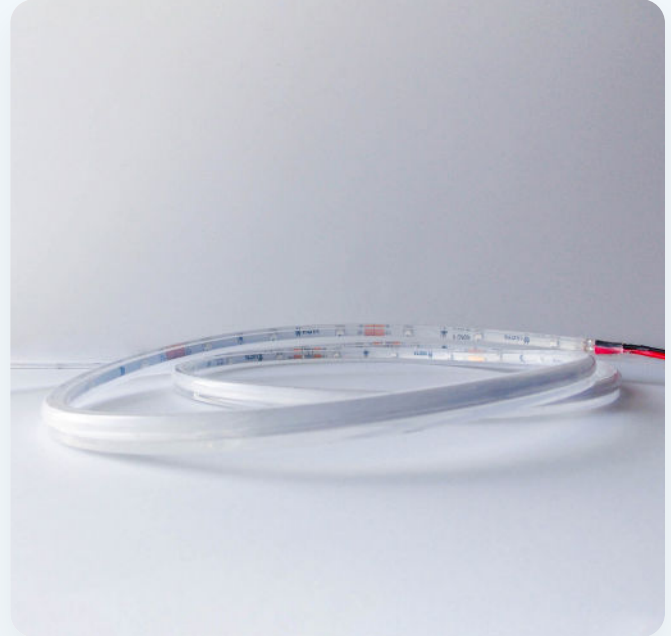
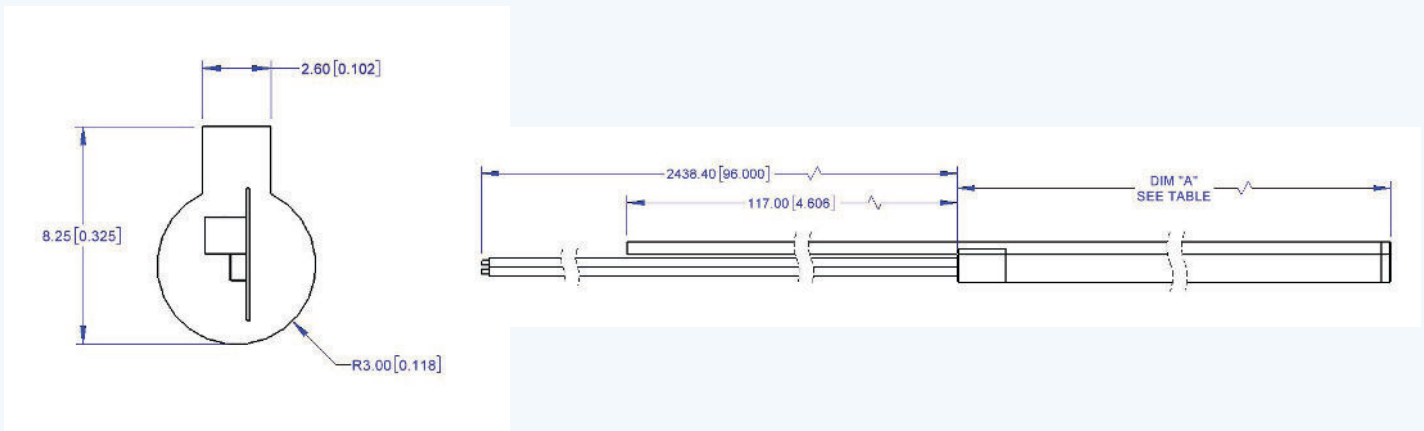


# Flexi C Track

- Fits into standard welt cord track (see product dimensions)
- Designed so LEDs always shine outward
- Input voltage - 11-16 VDC
- Operating temperature: -20 to 45 Celsius
- IP65 rated
- UV Compliant with ASTM G155
- Salt spray compliant with ASTM B117
- UL listed



## DIMENSIONS



## SPECIFICATIONS

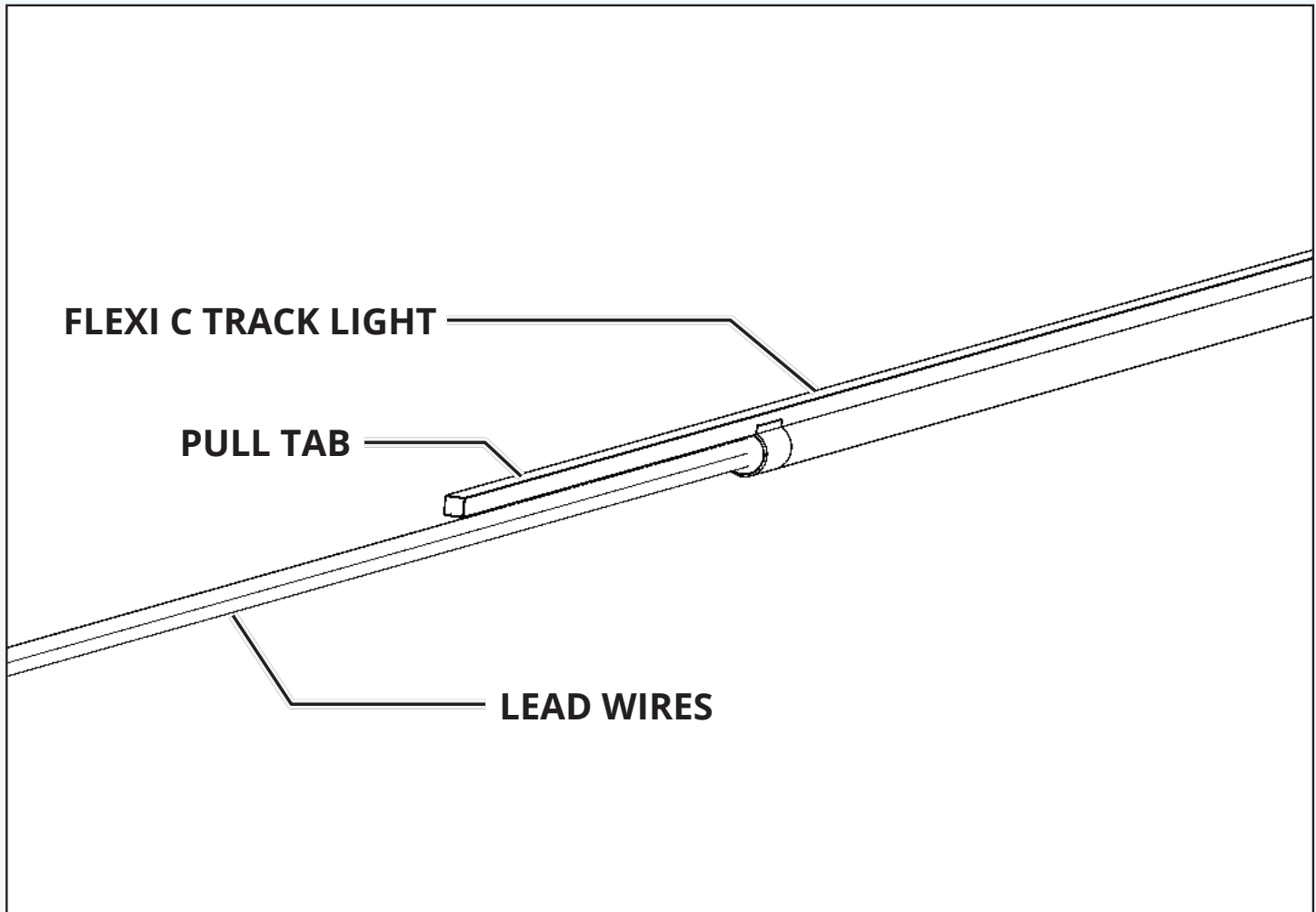
PART NUMBER	VOLTAGE (VDC)	CURRENT (AMPS)	WATTAGE (W MAX)	WAVELENGTH (NM)	LUMINOUS FLUX (LM)
445227 (17.1 ft)	12	1.2	18.7	460	160
445228 (21.4 ft)	12	1.5	23.4	460	200

## INSTALLATION INSTRUCTIONS FOR FLEXI C TRACK

### PREPARATION

You will need the following items prior to starting the installation process:

- Flexi C Track Light
- Appropriate connectors for 12 VDC power supply



### DISCONNECT POWER SOURCE (BATTERY) BEFORE STARTING ELECTRICAL WORK.

Recommended methods for splicing wires together (parts not included in Vista product kits):

- Solder and cover bare wires with heat shrink or electrical tape.
- Insulation-displacement connector (IDC) / insulation-piercing contact (IPC).
- Twist on wire connector, "wire nut".
- Crimp connector, "Butt splice".

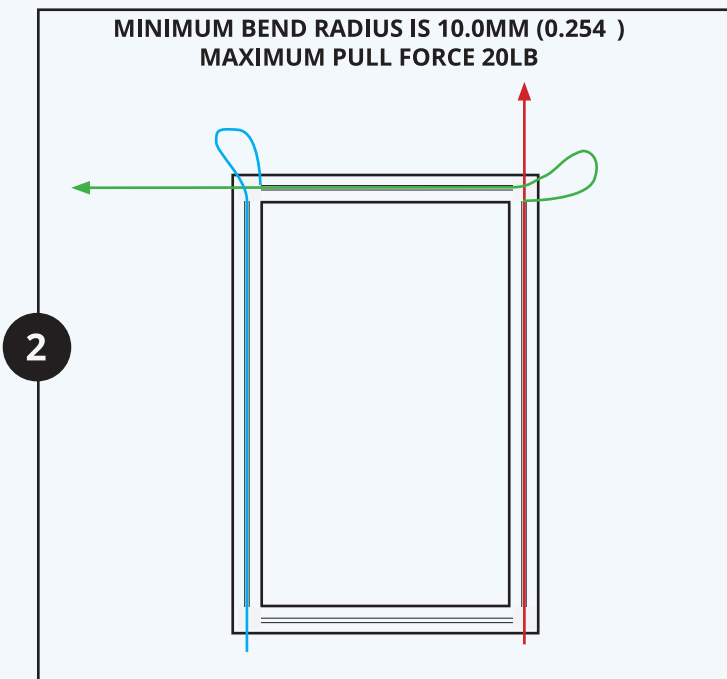
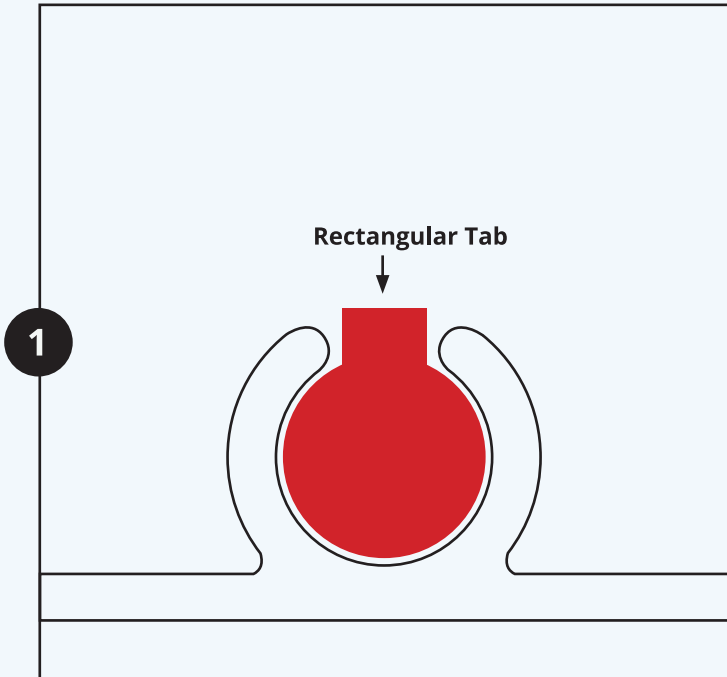
*Vista reserves the right to modify this specification without prior notice.*

---

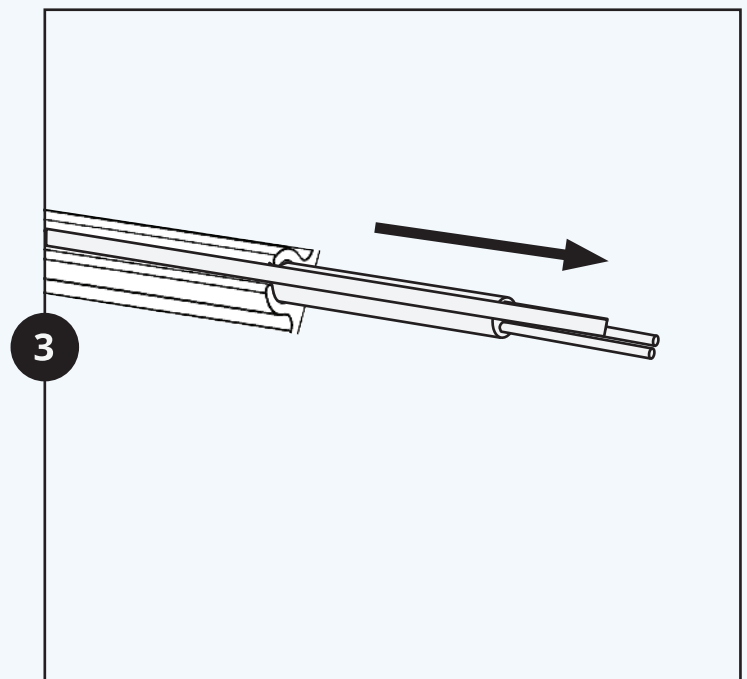
**FASTENING: Keep the following in mind:**

- Make sure you do not exceed the minimum bend radius or pull force as shown in Step 2.
- Do not flex the board perpendicular to the rectangular tab - this light is designed to bend only in the intended direction.

---

**STEPS****HEADING**

1. Insert lead end of the light into the C channel at one end of the tent frame. The rectangular tab on the light should slide into the open section of the C channel.
2. Grab the lead wires and pull-tab and smoothly pull them through each linear section before bending it to pull through each linear section to ensure that the light does not catch on any corners. Do not exceed the bend radius at the corners where the light is not supported.
3. Continue pulling the light through the frame until the leads are completely through the channel.



---

*Vista reserves the right to modify this specification without prior notice.*

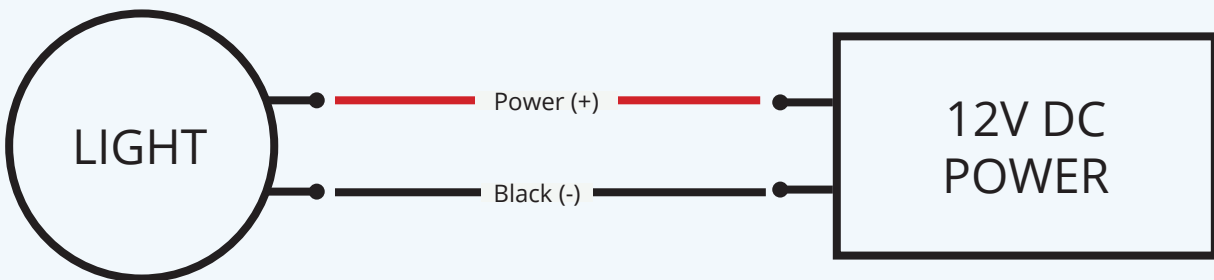
---

## WIRING:

Route wire as necessary for the application. Do not pinch or puncture wires with fasteners. Do not rout wires around sharp edges. A wire loom should be used for protection if wires are to be routed through areas where they may encounter sharp edges, in an application that would experience high amounts of vibration, in areas that may have fasteners protruding into them during later assembly, or other extreme conditions. Standard wiring outputs can be seen below.

Vista Standard RGB Lighting Wire Colors - Due to product variation, the wire colors for some Vista RGB lights may vary depending on the product. Refer to the following wire polarity information to Vista RGB Lighting.

## SINGLE COLOR LIGHTS



## WARNING:

1. Supply current and wattage must not exceed the rated values on the specification documents.
2. Incorrect polarity or improper wiring may cause personal injury and/or damage to the product. It is recommended that an electrical technician, professional, or similarly qualified individual finish wiring.
3. To avoid electrical shock risk, all failures should be examined by a qualified technician.
4. Environmental suitability, including but not limited to water resistance, varies based on product design. Unless explicitly noted, products are to be installed in a location shielded from outdoor elements. To avoid irreparable damage, refer to specification sheets to locate products in a proper environment.
5. Do not install products near an open flame or in high temperature environments unless the product is explicitly designed to function as such. Adversely, do not install products in excessively cold environments unless explicitly designed to function as such. Refer to product spec sheets/drawings for information about minimum and maximum operating temperatures.
6. Vista Manufacturing, Inc. is not liable for any injuries or damage caused due to improper wiring or installation.

Vista reserves the right to modify this specification without prior notice.