

Indicator Light

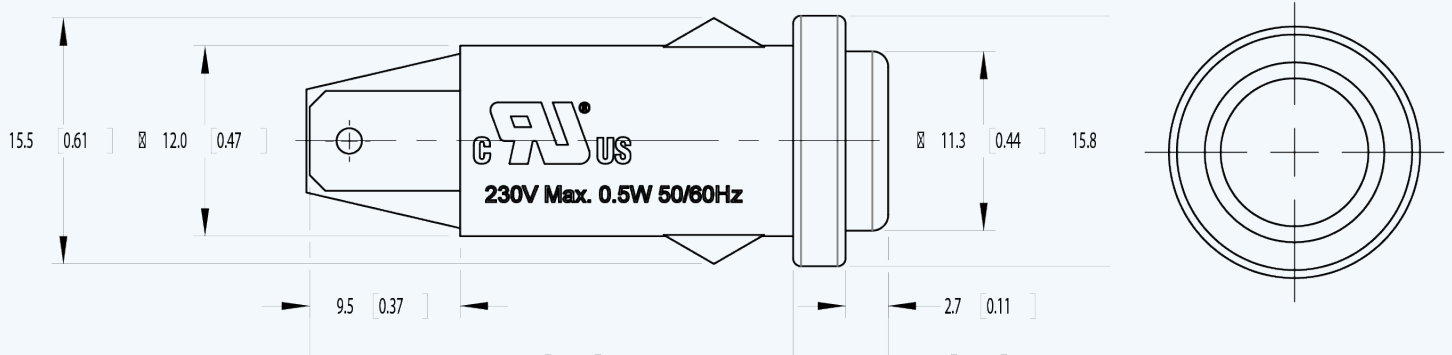
- LED Indicator light available in the colors listed below:

Red
Amber
Green
Blue
White

- Operating voltage: 7 - 14 Vdc/ac
- Operating Temperature: -20°C to 100°C
- UL Recognized



DIMENSIONS



SPECIFICATIONS

PART NUMBER	TAB (IN)	COLOR	WAVELENGTH (MM) / CCT (K)	LUMINOUS INTENSITY (lx)
440216	0.25	RED	615 - 630	35 - 65
440221	0.19			
440217	0.25	AMBER	580 - 596	30 - 65
440222	0.19			
440218	0.25	GREEN	515 - 530	65 - 115
440223	0.19			
440219	0.25	BLUE	460 - 475	17 - 30
440224	0.19			
440220	0.25	WHITE	7250 - 8500	110 - 200
440225	0.19			

NOTE: THE INTENSITY (lx) MEASUREMENTS ARE REFERENCE TO A 19.0 mm DISTANCE.

INSTALLATION INSTRUCTIONS FOR INDICATOR LIGHT

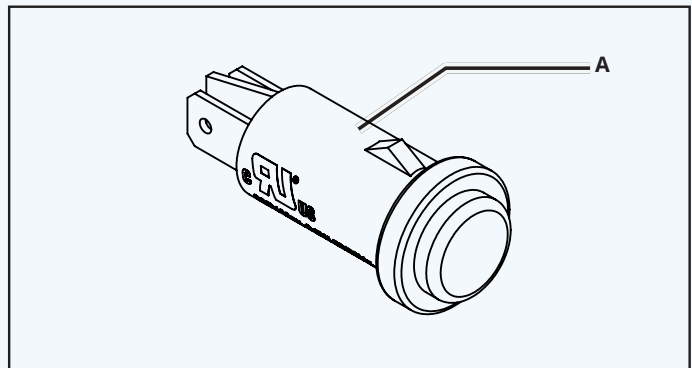
PREPARATION

You will need the following items prior to starting the installation process:

- Drill
- 22.5mm Drill bit (5/64in)

PARTS SUPPLIED

- A. Indicator Light



DISCONNECT POWER SOURCE (BATTERY) BEFORE STARTING ELECTRICAL WORK.

Recommended methods for splicing wires together (parts not included in Vista product kits):

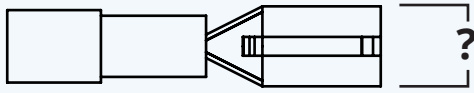
- Solder and cover bare wires with heat shrink or electrical tape.
- Insulation-displacement connector (IDC) / insulation-piercing contact (IPC).
- Twist on wire connector, "wire nut".
- Crimp connector, "Butt splice".

Vista reserves the right to modify this specification without prior notice.

FASTENING: Keep the following in mind:

- Check for proper clearances before drilling hole in panel.
- The light is not polarized, so the female connectors used in step 3 can be connected to either terminal on the light.

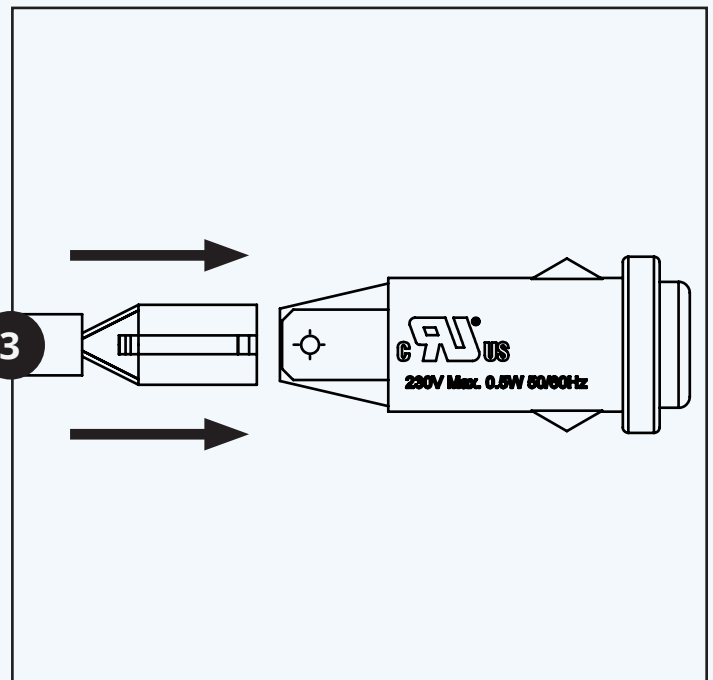
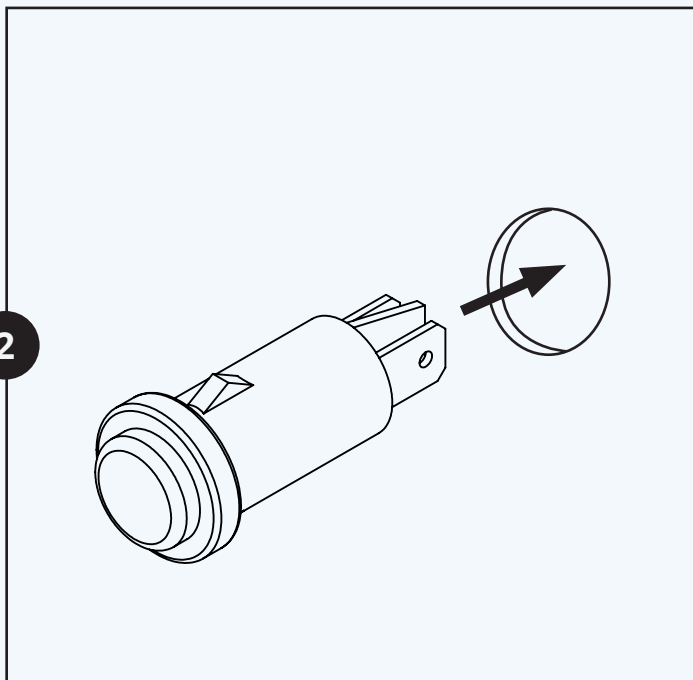
STEPS



VISTA PART NUMBER	TAB WIDTH (MM [IN])
440216	6.3 [0.25]
440221	4.8 [0.187]
1 440217	6.3 [0.25]
440222	4.8 [0.187]
440218	6.3 [0.25]
440223	4.8 [0.187]
440219	6.3 [0.25]
440224	4.8 [0.187]
440220	6.3 [0.25]
440225	4.8 [0.187]

INSTALLATION

1. Drill 22.5mm(57/64in) hole at desired location on panel and prepare wires with correctly sized female spade connector. See part number table in figure 1 for connector size.
2. Push light through hole until it snaps into place.
3. Connect both wires to the terminals on the light by pushing the female connectors over the light's spade terminals. Either wire can be connected to either terminal.



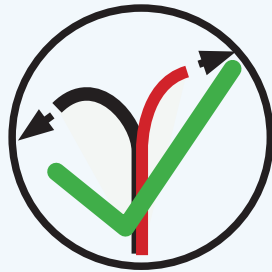
Vista reserves the right to modify this specification without prior notice.

WIRING:

Route wire as necessary for the application. Do not pinch or puncture wires with fasteners. Do not route wires around sharp edges. A wire loom should be used for protection if wires are to be routed through areas where they may encounter sharp edges, in an application that would experience high amounts of vibration, in areas that may have fasteners protruding into them during later assembly, or other extreme conditions. Standard wiring outputs can be seen below.

WARNING:

1. Supply current and wattage must not exceed the rated values on the specification documents.
2. Incorrect polarity or improper wiring may cause personal injury and/or damage to the product. It is recommended that an electrical technician, professional, or similarly qualified individual finish wiring.
3. To avoid electrical shock risk, all failures should be examined by a qualified technician.
4. Environmental suitability, including but not limited to water resistance, varies based on product design. Unless explicitly noted, products are to be installed in a location shielded from outdoor elements. To avoid irreparable damage, refer to specification sheets to locate products in a proper environment.
5. Do not install products near an open flame or in high temperature environments unless the product is explicitly designed to function as such. Adversely, do not install products in excessively cold environments unless explicitly designed to function as such. Refer to product spec sheets/drawings for information about minimum and maximum operating temperatures.
6. Vista Manufacturing, Inc. is not liable for any injuries or damage caused due to improper wiring or installation.
7. The listed IP Rating on products applies to the lighted assembly and installed connectors. If a product has an open wire to allow for hardwiring or installing aftermarket connectors, assume the IP rating at the open wire point is no higher than IP20.
8. Do not use cutting tools such as wire cutters, scissors, or shears to separate wire. Wires should be pulled apart in shear, perpendicular to the flat plane of the wire ribbon, and not in tension.



Vista reserves the right to modify this specification without prior notice.