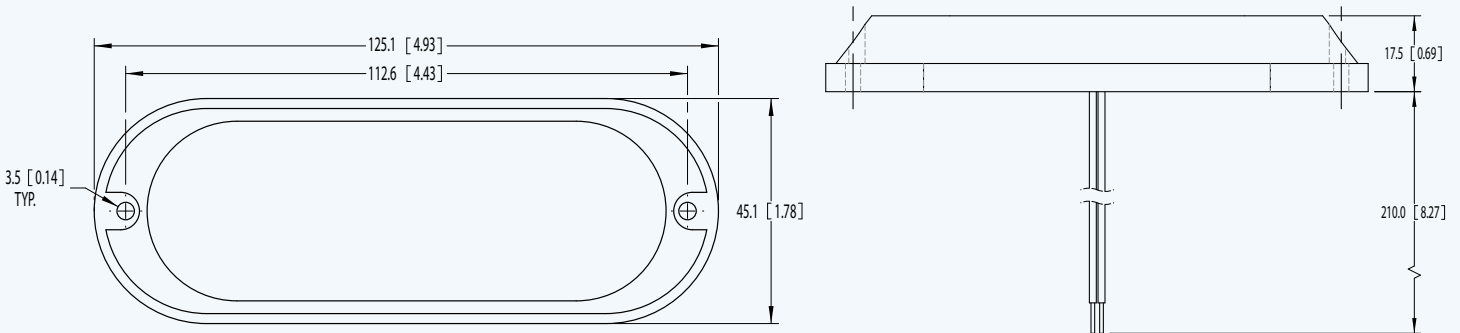


# Spreader Light

- Intense light output
- 2 bezel options – black or chrome
- Operating voltage: 10 - 30Vdc
- Operating Temp - -25 to 45° C
- IP67 rated
- Salt Spray compliant to ASTM B117
- UV Compliant to ASTM G154



## DIMENSIONS



## SPECIFICATIONS

SPECIFICATIONS						
PART NUMBER	BEZEL OPTIONS	VOLTAGE	CURRENT (MA/FT)	WATTAGE (W MAX/FT)	CCT (K)/WAVE-LENGTH(NM)	LUMINOUS FLUX
482204	BLACK	10 - 30	603	18.1	6000 K	810
482295	CHROME					

## INSTALLATION INSTRUCTIONS FOR SPREADER LIGHT

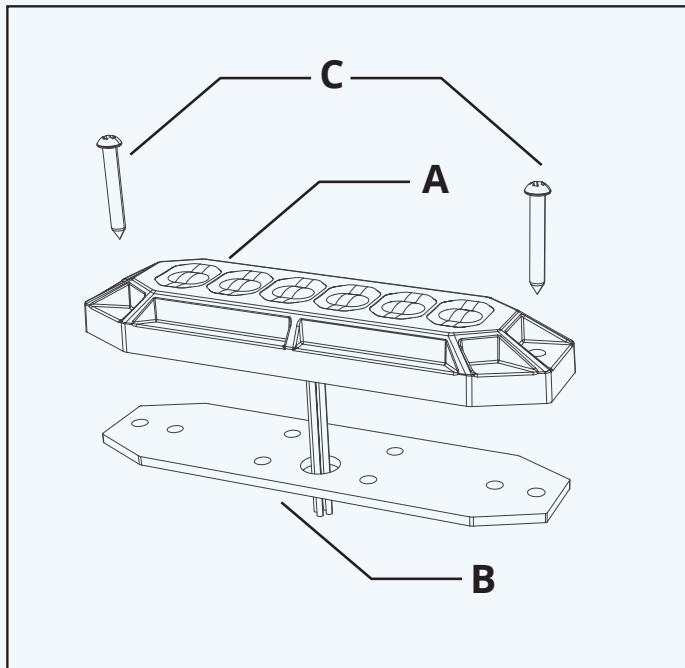
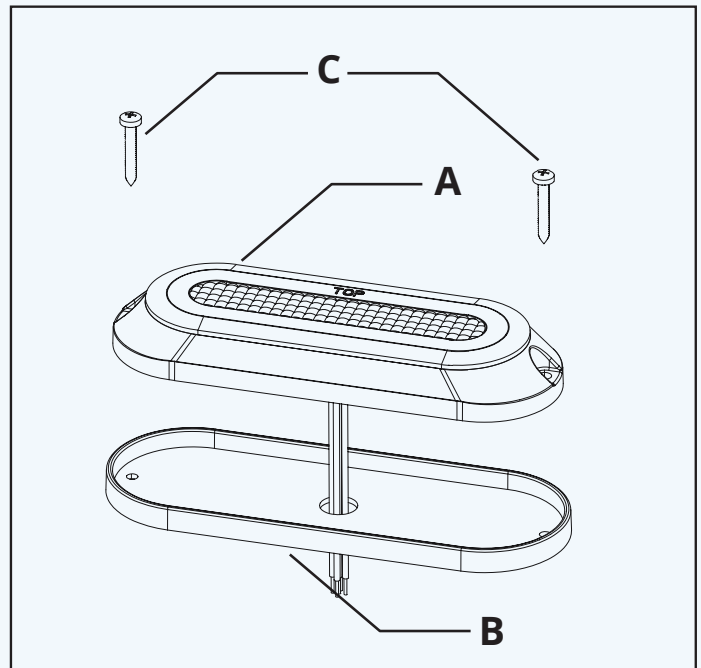
### PREPARATION

You will need the following items prior to starting the installation process:

- Drill/Driver
- Drill bit
- Philips Screwdriver

### PARTS SUPPLIED

- A. Reading Light
- B. Breaker Pad
- C. Mounting Screws

**482203****482204/482296**

### DISCONNECT POWER SOURCE (BATTERY) BEFORE STARTING ELECTRICAL WORK.

Recommended methods for splicing wires together (parts not included in Vista product kits):

- Solder and cover bare wires with heat shrink or electrical tape.
- Insulation-displacement connector (IDC) / insulation-piercing contact (IPC).
- Twist on wire connector, "wire nut".
- Crimp connector, "Butt splice".

Vista reserves the right to modify this specification without prior notice.

## DRILL TEMPLATE FOR 482204



## DRILL TEMPLATE FOR 482204/482296



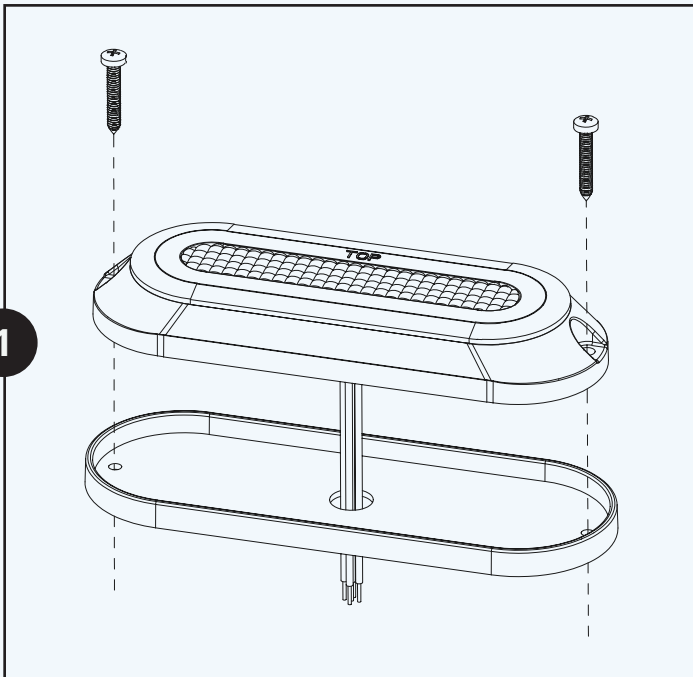
---

### FASTENING: Keep the following in mind:

- Read all safety notes and mounting instructions before installing the product. Verify that all parts listed on page 1 are present and complete.
- Verify that the power supply complies to the specified voltage limits for the light as shown in the PSG.
- Mounting instructions are the same for both models of this product.

---

### STEPS



### INSTALLATION STEPS

1. Mark hole locations on mounting surface and drill pilot holes for the included fasteners as well as a hole for the wires.
2. Route wire through center hole on the backer pad (Part B) and through the wire hole drilled in step 1.
3. Connect wires to an appropriate power supply or controller (not provided) using one of the wire splicing methods on page 1.
4. Secure light to mounting surface with screws and a philips-head screwdriver, making sure to avoid pinching wires underneath the light.

**NOTE: Torque screws to 12 in-lbs. Exceeding this specifications may result in damage to the product.**

---

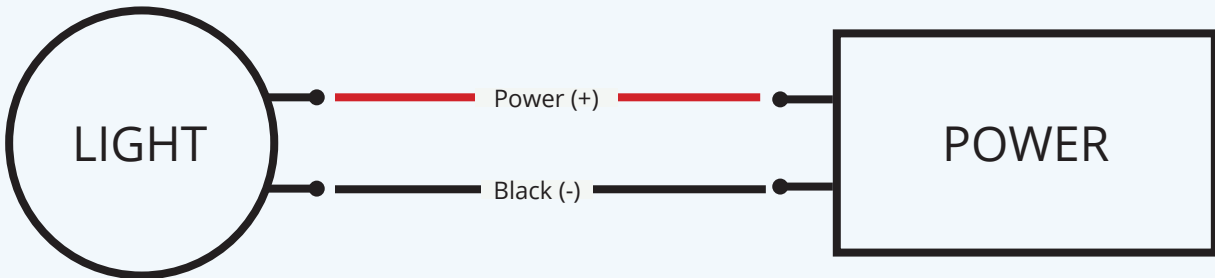
*Vista reserves the right to modify this specification without prior notice.*

---

## WIRING:

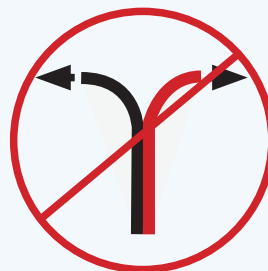
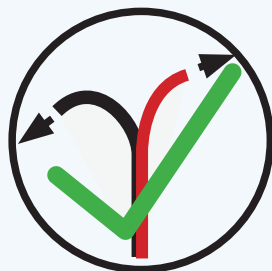
Route wire as necessary for the application. Do not pinch or puncture wires with fasteners. Do not route wires around sharp edges. A wire loom should be used for protection if wires are to be routed through areas where they may encounter sharp edges, in an application that would experience high amounts of vibration, in areas that may have fasteners protruding into them during later assembly, or other extreme conditions. Standard wiring outputs can be seen below.

## SINGLE COLOR LIGHTS



## WARNING:

1. Supply current and wattage must not exceed the rated values on the specification documents.
2. Incorrect polarity or improper wiring may cause personal injury and/or damage to the product. It is recommended that an electrical technician, professional, or similarly qualified individual finish wiring.
3. To avoid electrical shock risk, all failures should be examined by a qualified technician.
4. Environmental suitability, including but not limited to water resistance, varies based on product design. Unless explicitly noted, products are to be installed in a location shielded from outdoor elements. To avoid irreparable damage, refer to specification sheets to locate products in a proper environment.
5. Do not install products near an open flame or in high temperature environments unless the product is explicitly designed to function as such. Adversely, do not install products in excessively cold environments unless explicitly designed to function as such. Refer to product spec sheets/drawings for information about minimum and maximum operating temperatures.
6. Vista Manufacturing, Inc. is not liable for any injuries or damage caused due to improper wiring or installation.
7. The listed IP Rating on products applies to the lighted assembly and installed connectors. If a product has an open wire to allow for hardwiring or installing aftermarket connectors, assume the IP rating at the open wire point is no higher than IP20.
8. Do not use cutting tools such as wire cutters, scissors, or shears to separate wire. Wires should be pulled apart in shear, perpendicular to the flat plane of the wire ribbon, and not in tension.



Vista reserves the right to modify this specification without prior notice.