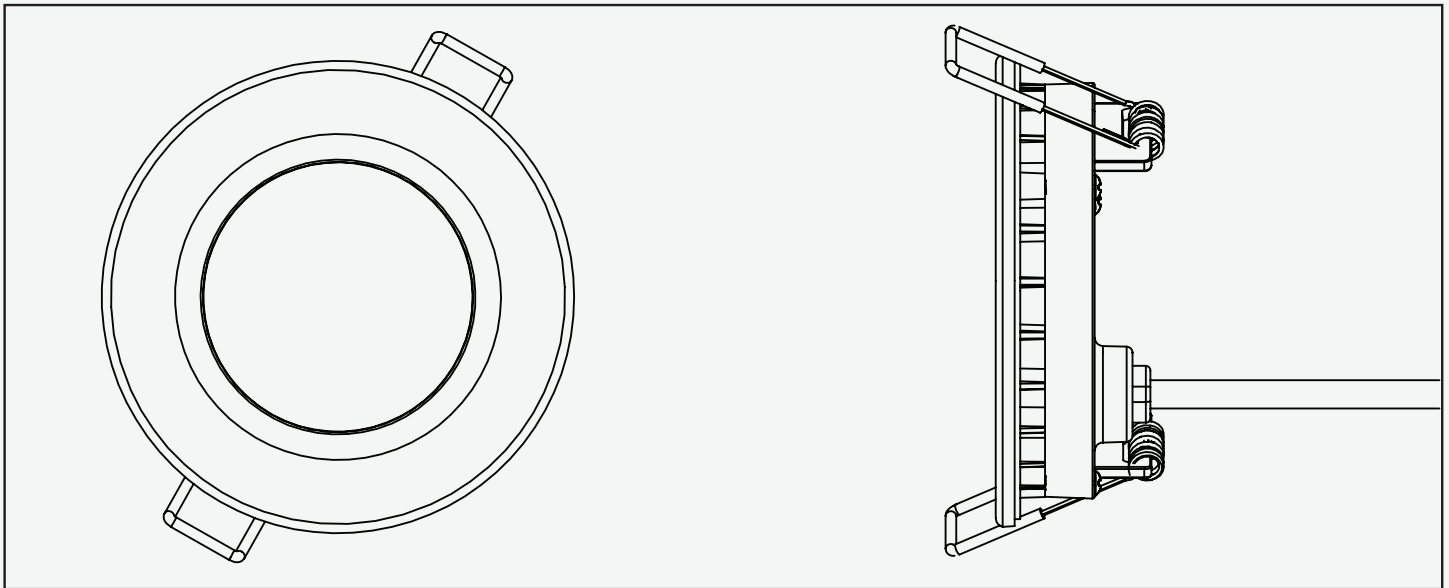


INSTALLATION INSTRUCTIONS FOR CHARON LIGHTS

PREPARATION

You will need the following items prior to starting the installation process:

- Disclaimer: Drill holes at your own risk
- Verify the location for the light to be installed
- Verify that there is enough clearance for the housing of the product to fit into the intended mounting location
- Utilize a hole saw bit to cut a 3.5" hole for the product to be installed properly.
- Maximum recommended material thickness of $\frac{3}{4}$ "



FASTENING:

The Charon lights utilize spring clips for mounting along with an adhesive backed foam gasket

1. Clean the mounting surface before installing the product
2. Peel the protective film off the 3M adhesive found on the back side of the product bezel
3. Fold back the retaining, spring clips and insert the product into the mounting hole
4. Press firmly around the bezel to ensure proper adhesion of the adhesive to the mounting surface

DISCONNECT POWER SOURCE (BATTERY) BEFORE STARTING ELECTRICAL WORK.

Recommended methods for splicing wires together (parts not included in Vista product kits):

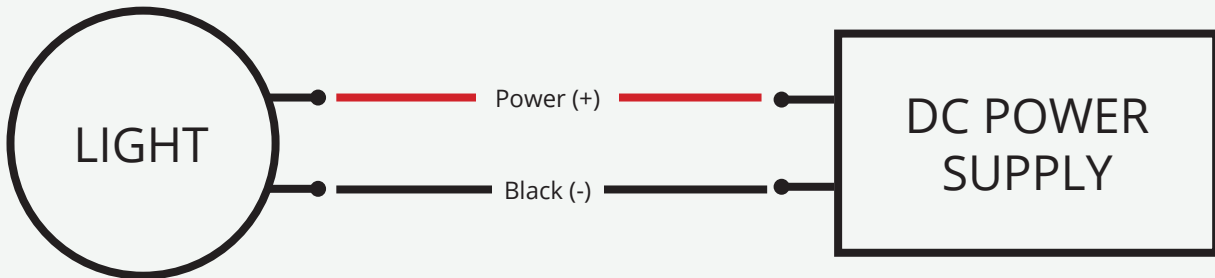
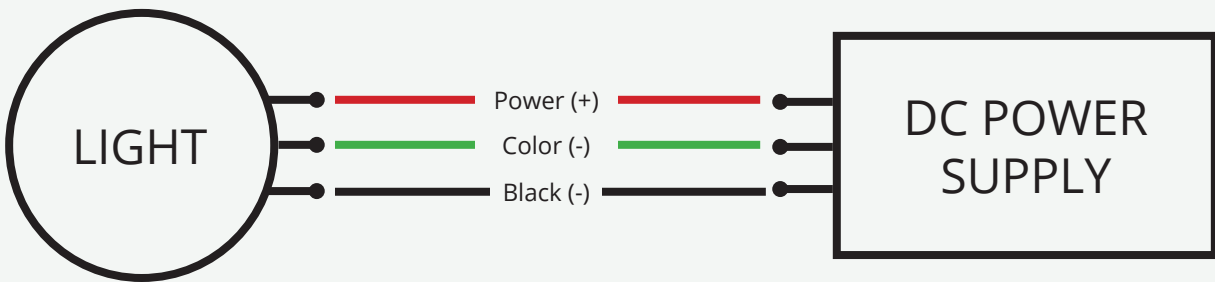
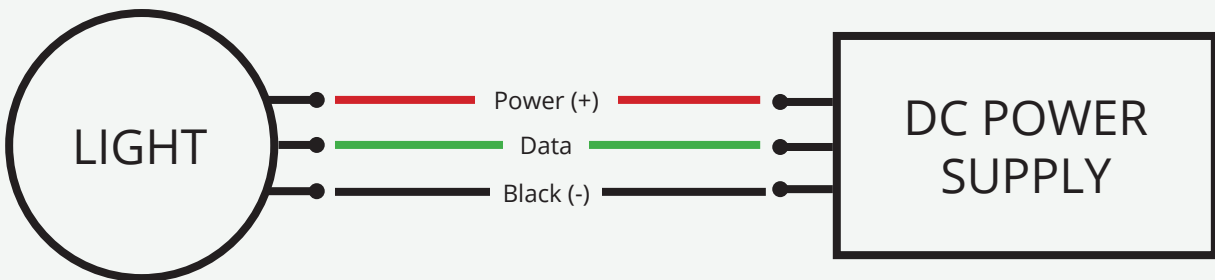
- Solder and cover bare wires with heat shrink or electrical tape.
- Insulation-displacement connector (IDC) / insulation-piercing contact (IPC).
- Twist on wire connector, "wire nut".
- Crimp connector, "Butt splice".

Vista reserves the right to modify this specification without prior notice.

WIRING:

Route wire as necessary for the application. Do not pinch or puncture wires with fasteners. Do not rout wires around sharp edges. A wire loom should be used for protection if wires are to be routed through areas where they may encounter sharp edges, in an application that would experience high amounts of vibration, in areas that may have fasteners protruding into them during later assembly, or other extreme conditions. Standard wiring outputs can be seen below.

Vista Standard RGB Lighting Wire Colors – Due to product variation, the wire colors for some Vista RGB lights may vary depending on the product. Refer to the following wire polarity information for Vista RGB Lighting.

SINGLE COLOR LIGHTS**3-WIRE VERSION****ADDRESSABLE****WARNING:**

1. Supply current and wattage must not exceed the rated values on the specification documents.
2. Incorrect polarity or improper wiring may cause personal injury and/or damage to the product. It is recommended that an electrical technician, professional, or similarly qualified individual finish wiring.
3. To avoid electrical shock risk, all failures should be examined by a qualified technician.
4. Environmental suitability, including but not limited to water resistance, varies based on product design. Unless explicitly noted, products are to be installed in a location shielded from outdoor elements. To avoid irreparable damage, refer to specification sheets to locate products in a proper environment.
5. Do not install products near an open flame or in high temperature environments unless the product is explicitly designed to function as such. Adversely, do not install products in excessively cold environments unless explicitly designed to function as such. Refer to product spec sheets/drawings for information about minimum and maximum operating temperatures.
6. Vista Manufacturing, Inc. is not liable for any injuries or damage caused due to improper wiring or installation.
7. The listed IP Rating on products applies to the lighted assembly and installed connectors. If a product has an open wire to allow for hardwiring or installing aftermarket connectors, assume the IP rating at the open wire point is no higher than IP20.
8. Do not use cutting tools such as wire cutters, scissors, or shears to separate wire. Wires should be pulled apart in shear, perpendicular to the flat plane of the wire ribbon, and not in tension.

Vista reserves the right to modify this specification without prior notice.
