

# Spreader Light

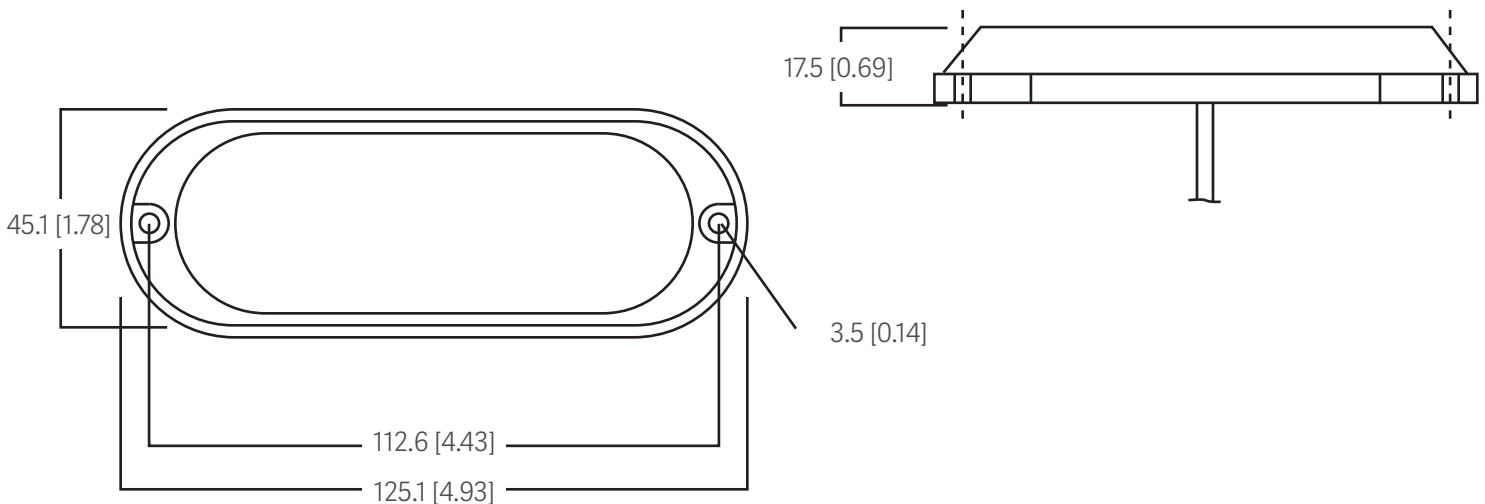
- Intense light output
- 2 bezel options – black or chrome
- Easy surface-mount installation
- Operating voltage: 10 - 30Vdc
- Operating Temp - -25 to 45° C
- Salt Spray compliant to ASTM B117



## Specifications

Part No.	Bezel Color	Voltage	Current (mA/ft)	Wattage (W/ft)	LED Color	CCT/Wave-length	Luminous Flux (lm/ft)
482204	Black	10 - 30 Vdc	603	18.1	Cool White	6000 K	810
482295	White						

## Dimensions



Vista reserves the right to modify this specification without prior notice.

