

# CCT RF Controller

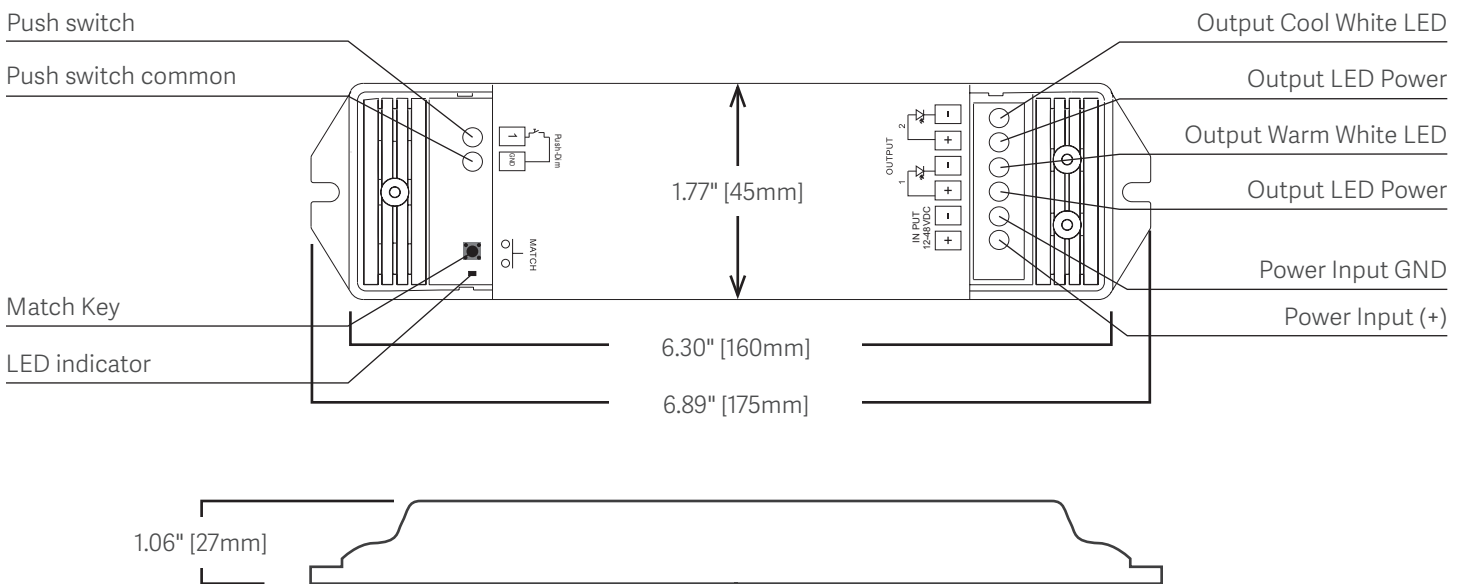
- Match with RF 2.4G single zone or multiple zone 2-Channel remote controls
- One RF controller accepts up to 10 remote controls
- 0-100% flicker-free dimming
- Auto-transmitting function: Controller automatically transmits signal to another controller with 30m
- Synchronize with multiple controllers of the same type



## Specifications

Part No.	Input Voltage	Output Voltage	Output Current	Output Type	Signal	Control Distance	Operating Temperature	IP Rating
480681	12-48 Vdc	2 x 12-48 Vdc	2CH, 8A/CH	CV	RF 2.4GHz + Push Dim	30m	-30 C ~ +55 C	20

## Dimensions



Vista reserves the right to modify this specification without prior notice.

