

DIM RF Controller

- Match with RF 2.4G single zone or multiple zone 1-Channel remote controls
- One RF controller accepts up to 10 remote controls
- 0-100% flicker-free dimming
- Auto-transmitting function: Controller automatically transmits signal to another controller with 30m
- Synchronizes with multiple controllers



Specifications

Part No.	Input Voltage	Output Voltage	Output Current	Output Type	Signal	Control Distance	Operating Temperature	IP Rating
480680	12-48 Vdc	1 x 12-48 Vdc	1CH, 15A/ CH	CV	RF 2.4GHz + Push Dim	30m	-30 C ~ +55 C	20

Dimensions

Push switch

Push switch common

Match Key

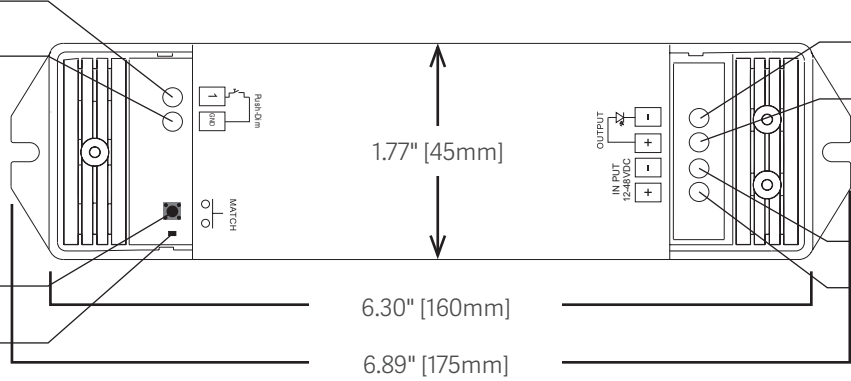
LED indicator

Output LED GND

Output LED Power

Power Input GND

Power Input (+)



1.06" [27mm]

Vista reserves the right to modify this specification without prior notice.

