

4-Zone Wall Remote (Slider)

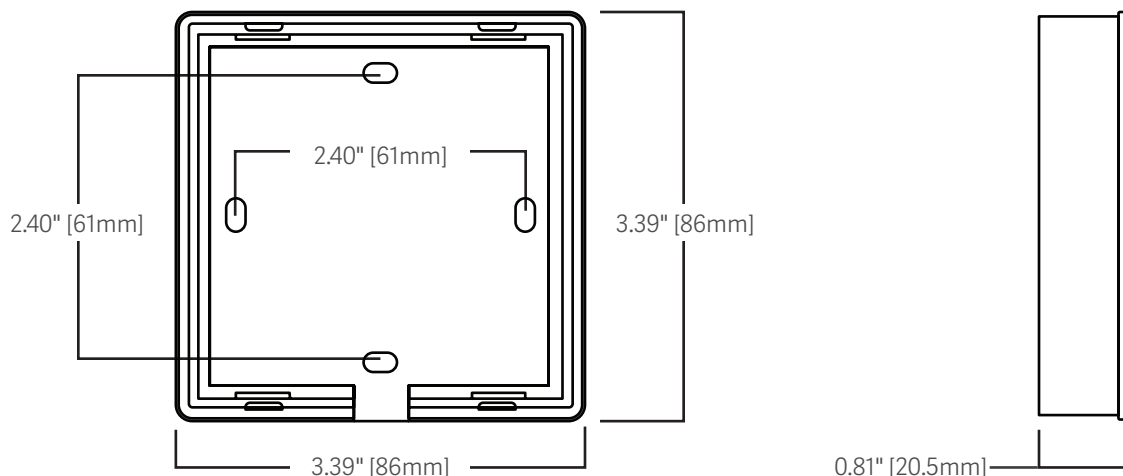
- Match with RF 2.4G single color, dual-color, RGB, RGBW, or RGBW-CCT LED controllers
- Each remote can match to a virtually limitless number of receivers
- Sensitive touch panel with slider
- Powered by (2) AAA Batteries
- Easy installation, no wiring needed
- Removeable and functions wirelessly
- Black and White versions available (black version is special order only at this time)



Specifications

| Part No. | Color | Channels | Zones | Signal | Control Distance | Operating Temperature | IP Rating |
|----------|----------|----------|-------|-----------|------------------|-----------------------|-----------|
| 480665 | DIM | 1 | 4 | RF 2.4GHz | 30m | -30 C ~ +55 C | 20 |
| 480666 | CCT | 2 | | | | | |
| 480667 | RGB/RGBW | 4 | | | | | |
| 480668 | RGCCT | 5 | | | | | |

Dimensions



Vista reserves the right to modify this specification without prior notice.

